



Application area

- Machinery construction
- Pulp industry
- General process technology

Technical data

Constructional design / case

Basic body:	Volume reduced diaphragm base Material: stainless steel mat.-no. 1.4404/1.4435 (316L)
Clamping flange:	Material: Stainless steel mat.-no. 1.4301 (304)
Diaphragm:	Flat diaphragm
Material wetted parts:	Diaphragm: Stainless steel mat.-no. 1.4435 (316L) Further materials upon request Basic body: Stainless steel mat.-no. 1.4404/1.4435 (316L)

Process connection

Design:	Extended diaphragm with loose clamping flange
Nominal width:	DN 48
Nominal pressure:	PN 40

Features

- Flush-mounted separating diaphragm of stainless steel or special material
- Volume optimised diaphragm base
- Loose clamping flange
- System fillings for different applications
- Measuring device connection:
 - directly welded
 - directly screwed
 - with temperature decoupler
 - with capillary

Options

- Certificates
 - Material certificate acc. to EN 10204-3.1
- Special materials upon request

Application

Suitable for mounting to bourdon tube pressure gauges and pressure transmitters.

The sealing is not included in the scope of delivery.

Measuring device connection

See order details.
Material stainless steel mat.-no. 1.4301 (304)

System filling

See order details; further fillings upon request.
Further details about pressure transmission fluids see general technical information TA_038.

Temperature error

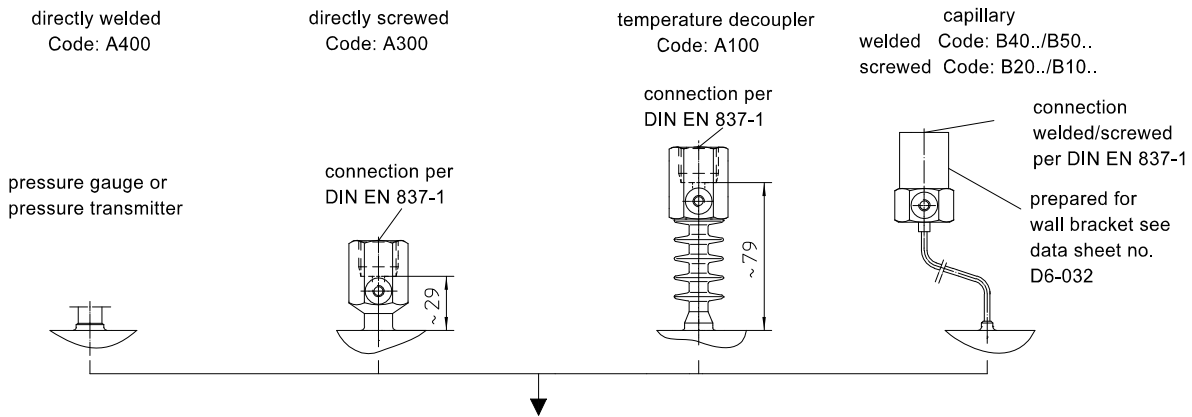
In order to optimise the system we provide a detailed error calculation upon request .

Weight

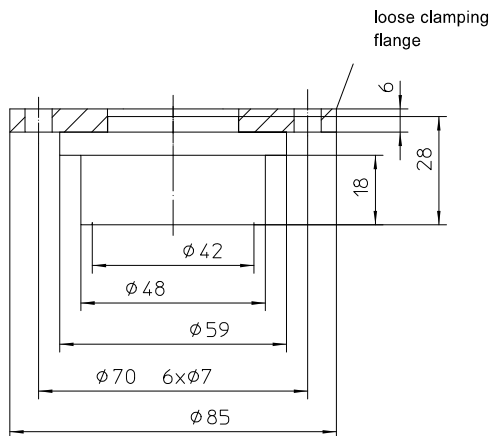
With measuring device connection G1/2 approx. 2.4 kg

Further information about diaphragm seals see general technical information TA_031.

Measuring device connection



Dimensions



Order details

Diaphragm seal for special applications in pulp industry, Type series DD8010

Order details diaphragm seal DD8010				
DD8010	design	extended diaphragm with loose clamping flange, DN 48		
G1	material wetted parts	stainless steel mat.-no. 1.4404/1.4435 (316L), standard		
G2		diaphragm: Tantal, basic body: stainless steel mat.-no. 1.4404 (316L)		
G3		diaphragm: Hastelloy C276, basic body: stainless steel mat.-no. 1.4404 (316L)		
G9		variant		
A400	measuring device connection	directly	welded	
A300			screwed G1/2	
A100		with temperature decoupler	screwed G1/2	
B40 ..		with capillary	welded	
B20 ..			screwed G1/2	
B50 ..		with capillary and stainless steel protective tube	welded	
B10 ..			screwed G1/2	
11		capillary length	1 m	
12			1.6 m	
13			2.5 m	
14			4 m	
21			5 m	
15			6 m	
23			7 m	
16			8 m	
17			10 m	
9	others			
	system filling ¹	<u>pressure transmission fluid</u>	<u>temperature range</u> ²	
L22		synthetic oil, free of silicone FD1, standard	-10...140 °C	
L23		synthetic oil, free of silicone FD1, pls. specify max. tem- perature	-50...230 °C	
L31		high temperature oil FV3H	-10...400 °C	

Additional features (to be indicated in case of need, only)

W1020	material certificate per EN 10204-3.1, wetted parts
-------	---

Order code (example): DD8010 - G1 - A400 - L22 - ...

¹ for more detailed information about pressure transmission fluids see TA_038.
Please state temperature range to allow an accurate calculation of the system.

² max. media temperature for pressures > 0 bar rel.