

Bourdon Tube Pressure Gauges HP, Stainless Steel Series Model 130.15

WIKA Data Sheet PM 02.19

Applications

- For gaseous and liquid, also aggressive media for demanding high purity applications, also in aggressive ambience
- For all HP (High Purity) applications
- Semiconductor and flat panel industry
- Gas distribution systems
- Hook-up application

Special Features

- VCR® compatible face seal fittings
- Helium leak tested
- Electropolished case



Bourdon Tube Pressure Gauge, HP Model 130.15.2", process connection VCR® compatible fitting with male nut

Description

Nominal size

1 ½", 2"

Accuracy class

NS 1 ½": Grade B to ASME B40.1

NS 2": Grade A to ASME B40.1

Scale ranges

0 ... 1 to 0 ... 400 bar (0 ... 15 to 0 ... 6000 psi)

or all other equivalent vacuum or combined pressure and vacuum ranges

Pressure limitation

Steady: 3/4 x full scale value

Fluctuating: 2/3 x full scale value

Short time: full scale value

Operating temperature

Ambient: -40 ... +60 °C

Medium: +100 °C maximum

Temperature effect

When the temperature of the measuring system deviates from the reference temperature (+20 °C):

max ± 0.4 %/10 K of full scale value

Ingress protection

IP 54 per EN 60 529 / IEC 529

VCR® is a registered trademark of Swagelok

Standard version

Process connection

Stainless steel 316L,
lower mount (LM) or centre back mount (CBM)
VCR® compatible face seal fitting:
 with union nut (female)
 with male nut
 or with male thread 9/16-18 UNF fixed
Male thread ¼ NPT

Pressure element

Stainless steel 316L,
< 100 bar: C-type
≥ 100 bar: helical type
Leak tightness: leak rate ≤ 10⁻⁹ mbar · l / s
Method of test: helium mass spectrometry

Movement

Stainless steel

Dial

Aluminium, white, black lettering, with pointer stop pin

Pointer

Aluminium, black

Case

Stainless steel, electropolished

Window

Polycarbonate,
NS 1 ½": snap-in
NS 2": screw-fitted on case (twist-lock)

Cleaning

Cleaned for oxygen service per ASME Level IV

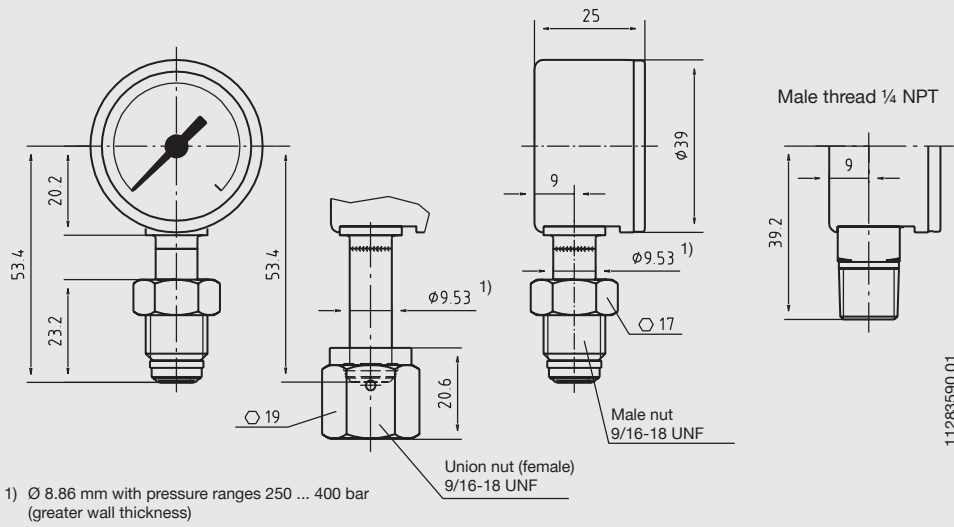
Options

- Other process connection
- Process connection surface finish Ra ≤ 0.3 µm
- Dual scale
- Scale ranges up to 700 bar with process connection
 ¼ NPT

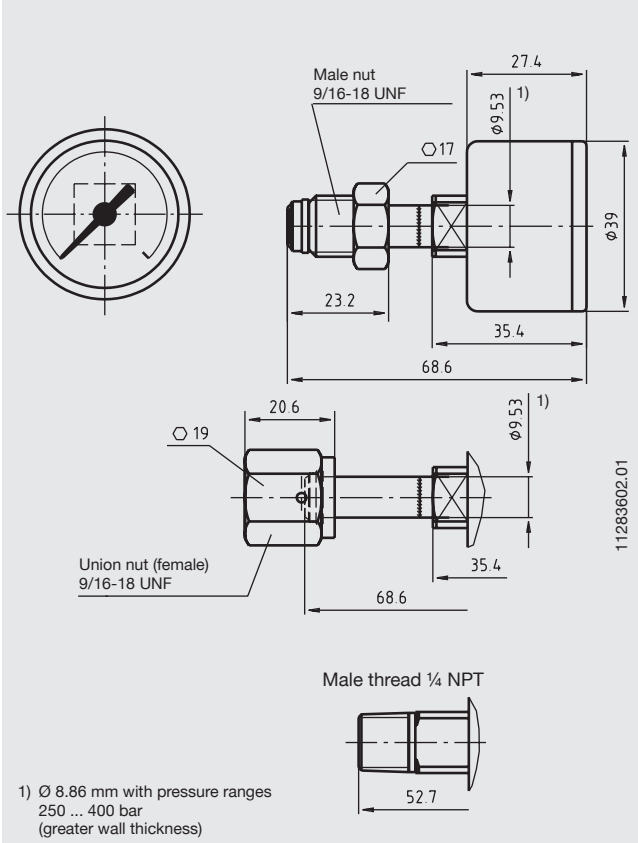
Dimensions in mm

Standard version NS 1 1/2"

Lower mount (LM)

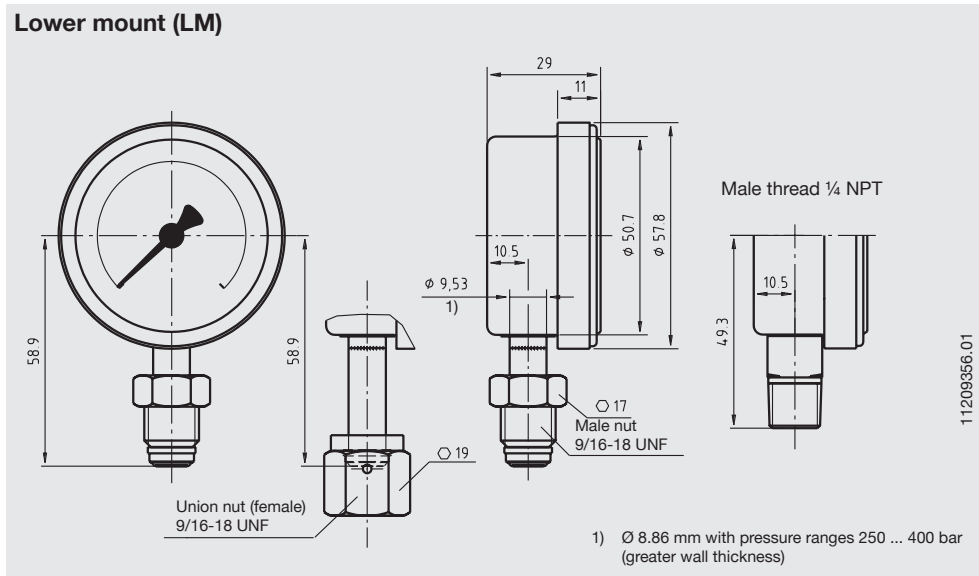


Centre back mount (CBM)

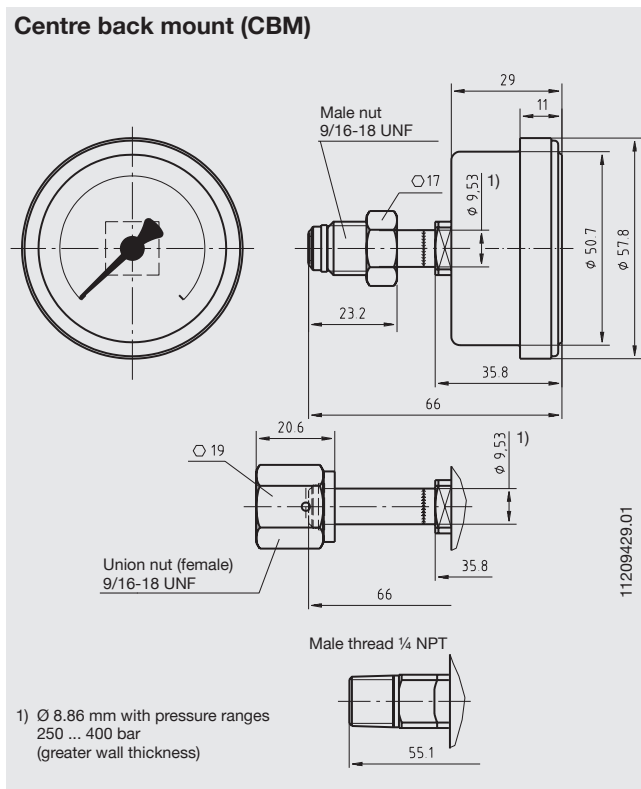


Standard version NS 2"

Lower mount (LM)



Centre back mount (CBM)



Ordering information

Model / Nominal size / Scale range / Connection size / Connection location / Options

Modifications may take place and materials specified may be replaced by others without prior notice.
Specifications and dimensions given in this leaflet represent the state of engineering at the time of printing.

