

Bourdon Tube Pressure Gauges Model 111.26, Back Mount Panel Mounting Series with Lateral Clips

WIKA Data Sheet PM 01.15

Applications

- For gaseous and liquid media that are not highly viscous or crystallising and will not attack copper alloy parts
- Especially for "snap-in" panel mounting
- Pneumatics
- Drink dispensers

Special Features

- Reliable and cost-effective
- Design per EN 837-1
- Nominal size 40, 50, 63, 80
- Scale ranges up to 0 ... 400 bar



Bourdon Tube Pressure Gauge Model 111.26

Description

Design
EN 837-1

Nominal size in mm
40, 50, 63, 80

Accuracy class
2.5

Scale ranges
0 ... 2.5 to 0 ... 400 bar
or all other equivalent vacuum or combined pressure and vacuum ranges

Pressure limitation

Steady: 3/4 x full scale value
Fluctuating: 2/3 x full scale value
Short time: full scale value

Operating temperature

Ambient: -40 ... +60 °C
Medium: +60 °C maximum

Temperature effect

When the temperature of the measuring system deviates from the reference temperature (+20 °C):
max. $\pm 0.4\%$ /10 K of the span

Standard version

Process connection

Cu-alloy,
centre back mount (CBM)
NS 40: G 1/8 B (male), 14 mm flats
NS 50, 63, 80: G 1/4 B (male), 14 mm flats

Pressure element

Cu-alloy,
≤ 60 bar: C-type
> 60 bar: helical type

Movement

Cu-alloy

Dial

With pointer stop pin, black lettering
NS 40, 50, 63: Plastic, white
NS 80: Aluminium, white

Pointer

Plastic, black

Case

Plastic, black, with spring clips

Window

Plastic, crystal-clear, snap-fit in case

Bezel ring

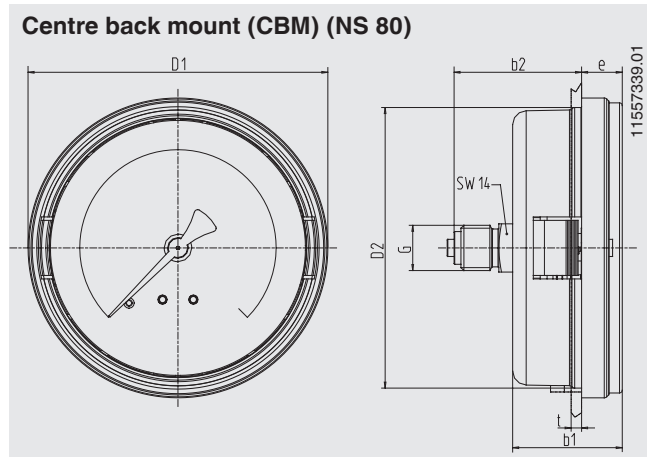
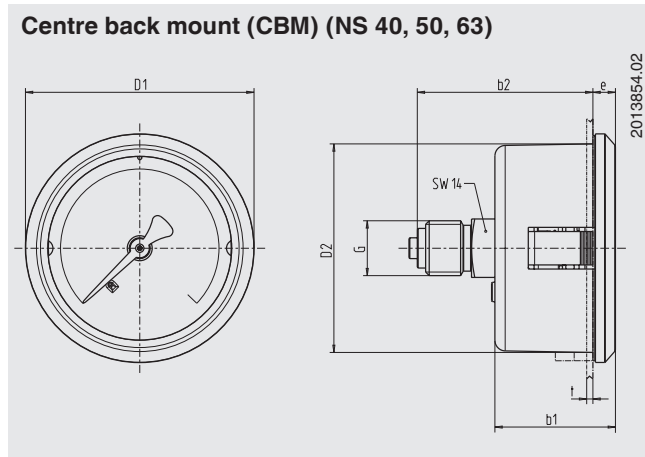
NS 40, 50, 63: Front bezel, plastic, black
NS 80: without ring

Options

- Other process connection
- Accuracy class 1.6
- Triangular bezel, chrome plated (NS 40, 50, 63)

Dimensions in mm

Standard version



NS	Dimensions in mm							Weight in kg			
	b1 ± 0.5	b2 ± 1	D1	D2	G	SW	e	Panel cutout Ø	thickness t _{min}	thickness t _{max}	
40	29	39	44	40	G 1/8 B	14	5.5	40.5	1.0	2.5	0.06
50	29	42	55	50	G 1/4 B	14	5.5	50.5	1.0	2.5	0.07
63	29	42	68	63	G 1/4 B	14	5.5	63.5	1.0	2.5	0.08
80	32	37	87	81.5	G 1/4 B	14	12	82	1.5	3.5	0.12

Process connection per EN 837-1 / 7.3

Ordering information

Model / Nominal size / Scale range / Connection size / Options

The specifications given in this document represent the state of engineering at the time of publishing. We reserve the right to make modifications to the specifications and materials.



WIKAL Alexander Wiegand SE & Co. KG
Alexander-Wiegand-Straße 30
63911 Klingenberg/Germany
Tel. (+49) 9372/132-0
Fax (+49) 9372/132-406
E-mail info@wika.de
www.wika.de