

Capsule Pressure Gauges, Square and Edgewise Panel, Mounting Series, Model 614.11/634.11, Measuring System Cu-alloy/Stainless Steel

WIKA Data Sheet PM 06.05

Applications

- For gaseous, dry and non-aggressive media that will not attack copper alloy parts
- Model 634.11: also for aggressive media

Special Features

- Low scale ranges from 0 ... 2.5 mbar
- Panel mounting
- Zero adjustment in front



Capsule Pressure Gauges, Square and Edgewise Panel Mounting Series, Model 614.11

Description

Design

DIN 43 700

Nominal size in mm

72 x 72, 96 x 96, 144 x 144 and 144 x 72

Accuracy class

1.6

Pressure limitation

Steady: full scale value

Fluctuating: 0.9 x full scale value

Operating temperature

Ambient: -20 ... +60 °C

Medium: +100 °C maximum

Temperature effect

When temperature of the measuring system deviates from reference temperature (+20 °C):

max. $\pm 0.6\%$ / 10 K of true scale value

Scale ranges

NS	Scale ranges in mbar			
	Model 614.11		Model 634.11	
72 x 72	0 ... 25	to 0 ... 600	0 ... 40	to 0 ... 600
96 x 96	0 ... 25	to 0 ... 600	0 ... 40	to 0 ... 600
144 x 144	0 ... 6	to 0 ... 600	0 ... 16	to 0 ... 600
144 x 72	0 ... 4	to 0 ... 600	0 ... 2.5	to 0 ... 600

or all other equivalent vacuum or combined pressure and vacuum ranges.

Standard version

Process connection

Model 614.11: Cu-alloy

Model 634.11: Stainless steel

back mount,

NS 72 x 72 and 96 x 96 : G ¼ B (male), 14 mm flats

NS 144 x 144 : G ½ B (male), 22 mm flats

NS 144 x 72 : G ½ B (male), 17 mm flats

Pressure element

Model 614.11: Cu-alloy

Model 634.11: Stainless steel

Sealing ring

Model 614.11: NBR

Model 634.11: Viton®

Movement

Cu-alloy, wear part argentan, with zero adjustment

Dial

Aluminium, white, black lettering

Pointer

Aluminium, black

Case (DIN 43 700)

NS 72 x 72, 96 x 96 and 144 x 144: steel, galvanised

NS 144 x 72: steel, black

Window

NS 144 x 72: instrument glass

NS 72 x 72, 96 x 96 and 144 x 144: acrylic plastic

Panel frame (DIN 43 718)

Steel, black, narrow, snap-fit

Options

- Other process connection
- Overpressure and vacuum safety with
 - scale ranges ≤ 25 mbar: 3 x full scale value
 - scale ranges > 25 mbar: 10 x full scale value
- Wide panel frame

Special version

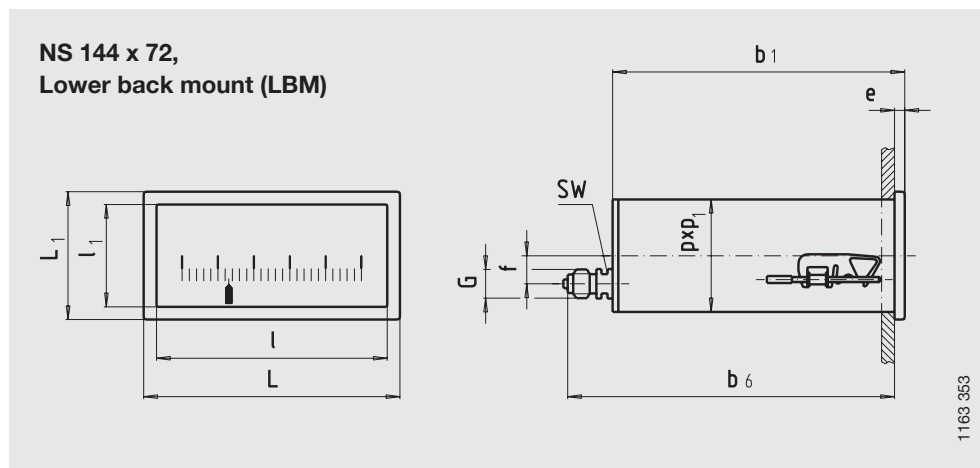
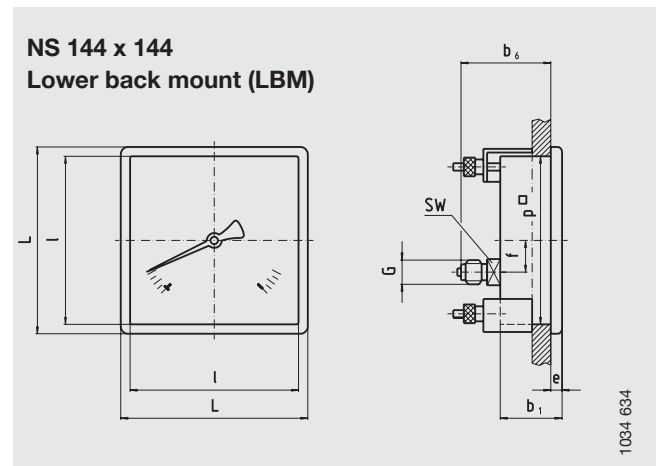
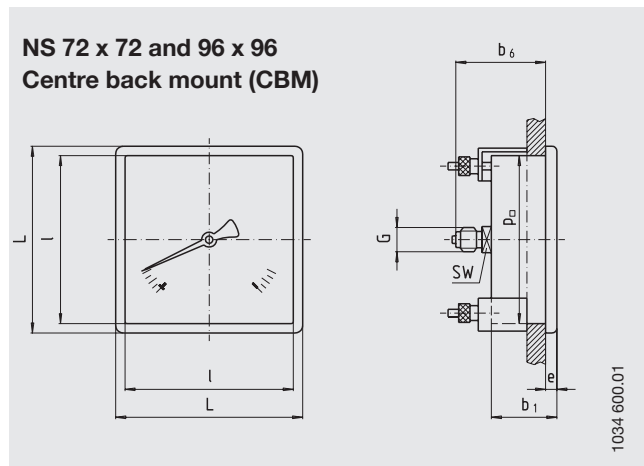
Edgewise gauges with alarm contact

NS 144 x 72 max. two alarm contacts, scale ranges 0 ... 40 to 0 ... 600 mbar, with bellow-capsule element, arranged in cylindric measurement chamber on cage bottom.

Viton® fluoroelastomers is a registered trademark of DuPont Performance Elastomers.

Dimensions in mm

Standard version



NS	Dimensions in mm												Weight in kg
	b ₁	b ₆	e	f	G	L	L ₁	l	l ₁	p x p ₁	p□	SW	
72 x 72	36.5	50	6	-	G ¼ B	72	-	62	-	-	66	14	0.30
96 x 96	39	50	6	-	G ¼ B	96	-	79	-	-	88.5	14	0.40
144 x 144	46.5	71.5	8	30	G ½ B	144	-	134	-	-	136	22	0.90
144 x 72	168	197	8	18	G ½ B	144	72	134	62	138 x 67	-	17	1.60

Process connection per EN 837-3 / 7.3.

Ordering information

Model / Nominal size / Scale range / Connection size / Connection location / Options

Modifications may take place and materials specified may be replaced by others without prior notice.
Specifications and dimensions given in this leaflet represent the state of engineering at the time of printing.



WIKAI Alexander Wiegand GmbH & Co. KG
Alexander-Wiegand-Straße 30
63911 Klingenberg/Germany
Tel. (+49) 9372/132-0
Fax (+49) 9372/132-406
E-mail info@wika.de
www.wika.de