

Capsule Pressure Gauges

Model 611.10, Standard Series

Model 631.10, Stainless Steel Series

WIKA Data Sheet PM 06.01



Applications

- Pressure gauge for use in protected environments
- Medical, vacuum, environmental, laboratory technology, for contents measurement and filter monitoring
- For gaseous, dry and non-aggressive media
- Model 631.10 also for aggressive media

Special Features

- Zero adjustment in front
- Special connection location on request
- Low scale ranges from 0 ... 25 mbar



Capsule Pressure Gauge Model 611.10

Description

Design

EN 837-3

Nominal size in mm

50, 63

Accuracy class

1.6

Scale ranges

NS 50: 0 ... 60 mbar to 0 ... 600 mbar

NS 63: 0 ... 25 mbar to 0 ... 600 mbar

or all other equivalent vacuum or combined pressure and vacuum ranges

Pressure limitation

Steady: full scale value

Fluctuating: 0.9 x full scale value

Operating temperature

Ambient: -20 ... +60 °C

Medium: +100 °C maximum

Temperature effect

When the temperature of the measuring system deviates from the reference temperature (+20 °C):
max. ± 0.6 %/10 K of full scale value

Ingress protection

IP 32 per EN 60 529 / IEC 529

Standard version

Process connection

Model 611.10: Cu-alloy

Model 631.10: stainless steel

lower mount (LM) or back mount (BM)

(NS 50: only back mount (BM))

G ¼ B (male), 14 mm flats

Pressure element

Model 611.10: Cu-alloy

Model 631.10: stainless steel

Sealing

NBR

Movement

Cu-alloy

Zero adjustment

In front

Dial

Aluminium, white, black lettering

Pointer

Aluminium, black

Case

Steel, black

Window

Clear plastic, domed, snap-fit in case

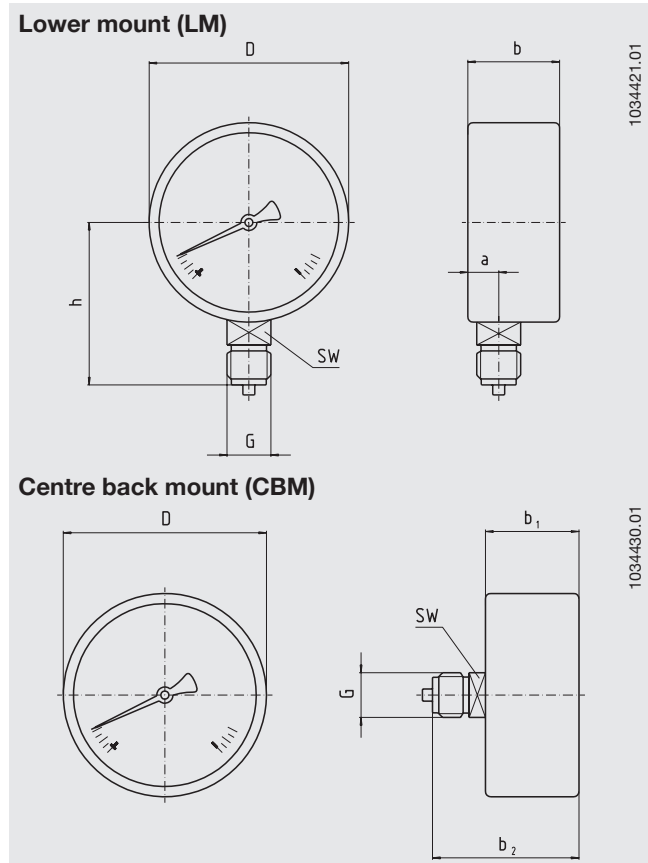
Options (NS 63)

- Other process connection
- Case stainless steel
- Overpressure or vacuum safety at
 - scale ranges > 25 mbar: 10 x full scale value
 - scale ranges 25 mbar: 3 x full scale value
- Slip-on bezel ¹⁾
- Panel or surface mounting flange ¹⁾
- Triangular bezel with clamp ¹⁾

1) also for NS 50

Dimensions in mm

Standard version



NS	Dimensions in mm					D	G	h ± 1	SW	Weight in kg
	a	b	b ₁	b ₂						
50	-	-	28	47		50	G ¼ B	-	14	0.09
63	9.5	40	36.5	54.5		63	G ¼ B	51	14	0.20

Process connection per EN 837-3 / 7.3

Ordering information

Model / Nominal size / Scale range / Connection size / Connection location / Options

Modifications may take place and materials specified may be replaced by others without prior notice.
Specifications and dimensions given in this leaflet represent the state of engineering at the time of printing.



WIKAL Alexander Wiegand GmbH & Co. KG
 Alexander-Wiegand-Straße 30
 63911 Klingenberg/Germany
 Tel. (+49) 9372/132-0
 Fax (+49) 9372/132-406
 E-mail info@wika.de
 www.wika.de