

## Pressure transmitter for air compressors Model C-2

WIKA Data Sheet PE 81.47

### Applications

- Pressure monitoring
- Pressure controlling and regulation
- Filter monitoring  
in screw-type, reciprocating and turbo compressors

### Special Features

- Rugged one-piece housing
- Compact design
- High reliability and durability



Fig. left: C-2 with flying leads

Fig. right C-2 with Metri Pack Series 150

### Description

The C-2 pressure transmitter is optimally adapted for use in stationary plants, portable devices or also in compressed air stations. The available pressure ranges cover the entire spectrum of currently available power classes for air compressors.

Whether for screw-type, reciprocating or turbo compressors, with oil-injection cooling, oil-lubrication or dry compressing, the C-2 is suitable for all requirements. Even the high demands of vibration do not present a challenge for this diminutive specialist.

Its compact and robust design, coupled with its perfect performance, make it a top product with a good price/performance ratio.

Using WIKA's well-proven ceramic thick-film sensor technology and the latest production techniques provides the C-2 with high availability and well-known WIKA quality.

# Specifications

# Model C-2

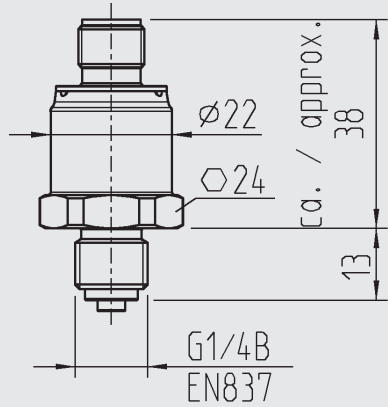
Pressure ranges	bar	6	10	12	16	30	60
Over pressure safety	bar	20	20	40	40	100	100
Burst pressure	bar	25	25	50	50	120	120
All pressure ranges also from -1 bar available. {Vacuum, gauge pressure, compound ranges are available}							
<b>Materials</b>							
■ Wetted parts		Brass, ceramic Al <sub>2</sub> O <sub>3</sub> 96 %			O-ring: CR70 (chloroprene)		
■ Case		Brass					
<b>Electronics</b>							
		Signal output		Power supply U <sub>B</sub>		Load R <sub>A</sub>	
		4 ... 20 mA, 2-wire		7 ... 30 VDC		R <sub>A</sub> ≤ (U <sub>B</sub> - 7 V) / 0.02 A	
		1 ... 5 V, 3-wire		8 ... 30 VDC		R <sub>A</sub> > 5 kOhm	
		0 ... 10 V, 3-wire		14 ... 30 VDC		R <sub>A</sub> > 10 kOhm	
		0.5 ... 4.5 V, ratiometric		5 ± 0.5 VDC		R <sub>A</sub> > 4.5 kOhm	
Response time (10 ... 90 %)	ms	≤ 5					
Insulation voltage	VDC	500					
Accuracy	% of span	≤ 2.0 *)					
*) Including non-linearity, hysteresis, zero point and full scale error (corresponds to error of measurement per IEC 61298-2).							
Long-term drift	% of span	≤ 0.3 according to IEC 61298-2					
<b>Permissible temperature of</b>							
■ Medium		-20 ... +80 °C		-4 ... +176 °F			
■ Ambience		-25 ... +85 °C		-13... +185 °F			
■ Storage		-25 ... +80 °C		-13 ... +176 °F			
Rated temperature range		-25 ... +80 °C		-13 ... +176 °F			
<b>CE-conformity</b>							
■ EMC directive		2004/108/EEC, EN 61326 Emission (Group 1, Class B) and Immunity (industrial locations)					
Shock resistance	g	40 (6 ms, 50 repetitions)		according to IEC 60068-2-27 (mechanical shock)			
Vibration resistance	g	20 (20 ... 2000 Hz, 2 h)		according to IEC 60068-2-6 (vibration under resonance)			
<b>Wiring protection</b>							
■ Short-circuit protection		S+ towards 0V					
■ Reverse polarity protection		U <sub>B</sub> towards 0V					
■ Overvoltage protection	VDC	max. 36					
Weight	kg	Approx. 0.08					

{ } Items in curved brackets are optional extras for additional price.

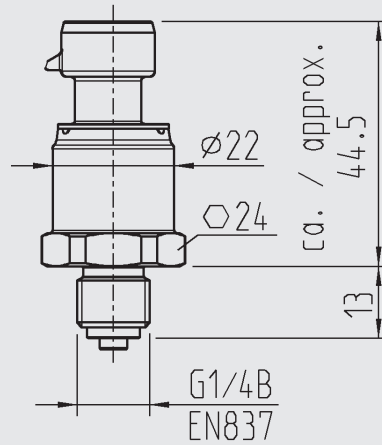
## Dimensions in mm

### Electrical connections

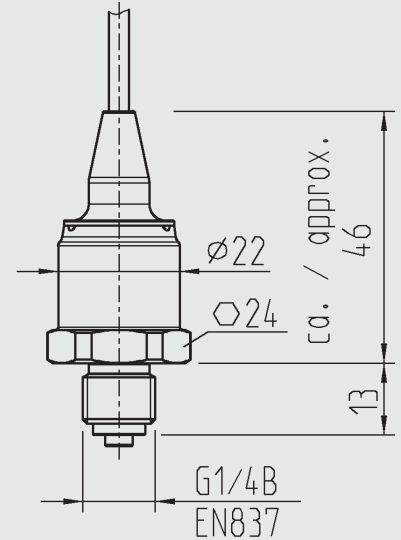
Circular connector  
M 12x1



Connector  
Metri Pack Series 150

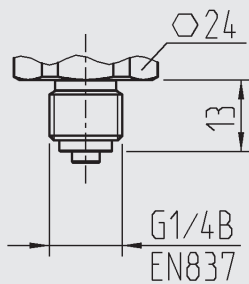


Flying leads

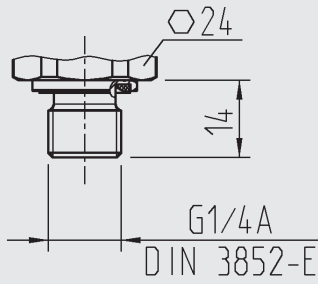


### Pressure connections

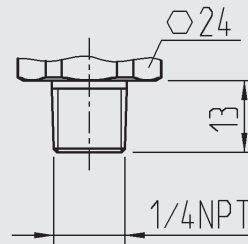
G 1/4  
EN 837



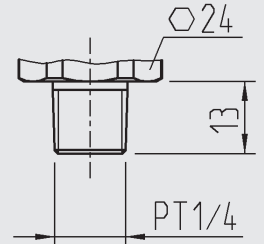
G 1/4  
DIN 3852-E



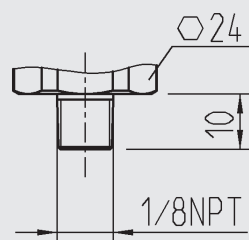
1/4 NPT  
per „Nominal size for US  
standard tapered pipe  
thread NPT“



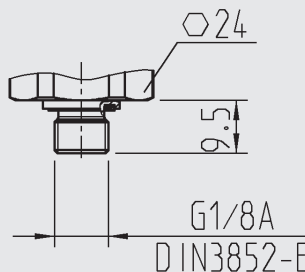
PT 1/4



1/8 NPT  
per „Nominal size for US  
standard tapered pipe  
thread NPT“




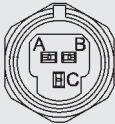
G 1/8  
DIN 3852-E



For installation and safety instructions see the operating instructions for this product.

For tapped holes and welding sockets please see Technical Information IN 00.14 for download at [www.wika.de](http://www.wika.de) - Download

## Electrical connections

	Circular connector M12x1, 4-pin	Connector Metri Pack Series 150, 3-pin	Flying leads, 1 m / 2 m
			
2-wire	UB = 1   0V = 3	UB = B   0V = A	UB = brown   0V = green
3-wire	UB = 1   0V = 3   S+ = 4	UB = B   0V = A   S+ = C	UB = brown   0V = green   S+ = white
Wire gauge			3 x 0.14 mm <sup>2</sup>
Cable diameter			3.2 mm
Ingress Protection per IEC 60 529	IP 67	IP 67	IP 69K
The ingress protection classes specified only apply while the pressure transmitter is connected with female connectors that provide the corresponding ingress protection.			

Specifications and dimensions given in this leaflet represent the state of engineering at the time of printing. Modifications may take place and materials specified may be replaced by others without prior notice.

