

Sterile Process Connection, Diaphragm Seals For Aseptic, Chemical and Pharmaceutical Industry

Aseptic connection per DIN 11 864, Model 990.51

WIKA Data Sheet DS 99.51



Applications

- Food and beverage industry
- Biochemical and pharmaceutical industry, production of active ingredients
- Aseptic raw element production in the chemical industry

Special Features

- Quick measuring point cleaning without residues
- Suitable for SIP and CIP
- 3A certified and FDA approved
- Flush welded diaphragm

Description

Process connection

Aseptic threaded pipe connection per DIN 11 864-1
Aseptic flanged connection per DIN 11 864-2
Aseptic clamp connection per DIN 11 864-3
Nominal sizes (DN) see dimensions starting page 3

Pressure rating

see dimensions starting page 3

Suitable pressure ranges

0 ... 0.6 bar to 0 ... 25 or 40 bar

Material of wetted parts

Stainless steel 1.4435 (316L)

Instrument connection

Gauges directly welded, transmitter with threaded adaptor

System fill fluid

KN 62 Liquid Paraffin (medical white oil), pharmaceutical compatible, FDA approved, according to standard USP XXIII, EP (1993), JP XII and NSF (H1)



Diaphragm Seal, Aseptic Threaded Connection Model 990.51
left with Pressure Gauge and right with Transmitter



Fig. left: Model 990.51, Aseptic Flanged Connection
Fig. right: Model 990.51, Aseptic Clamp Connection with
Pressure Gauge Model 232.50 NS 160

Optional extras

Process connection

- Other nominal sizes (DN) and further aseptic process connections on inquiry

Pressure rating

- Higher pressure ratings on inquiry

Material of wetted parts

- Stainless steel 1.4435 electropolished
- Stainless steel 1.4439
- Special materials on inquiry

Surface roughness and design

- Hygienic standard H4 per DIN 11864, surface roughness of wetted parts $Ra < 0.4 \mu m$

Pressure instrument assembly

- Assembly via cooling tower
- Assembly via capillary, when ordering please specify: length of capillary

System fill fluid

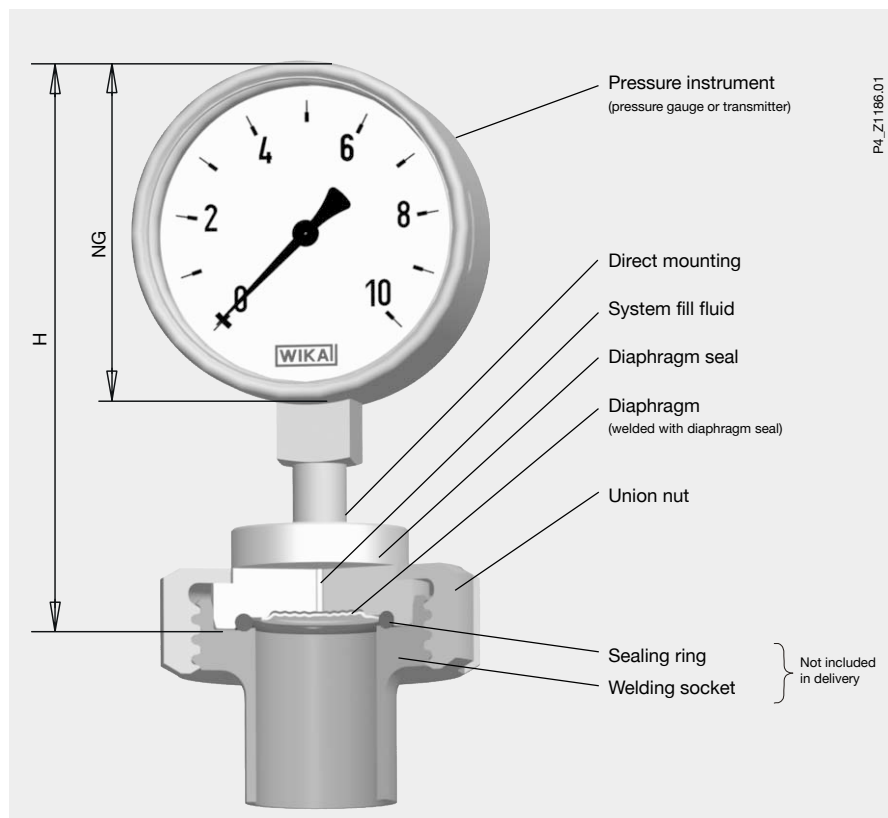
- KN 7 Glycerine, FDA approved
- KN 12 Glycerine/water, FDA approved
- KN 59 Neobee® M-20, FDA approved

Documentation

- Material certificate per 2.2 or 3.1 per DIN 10 204
 - Test and calibration certificates
 - Pressure and stability tests
 - Confirmation of FDA approval
 - 3-A symbol and approval certificate
- Further certificates and documents on request

Aseptic threaded pipe connection per DIN 11 864-1

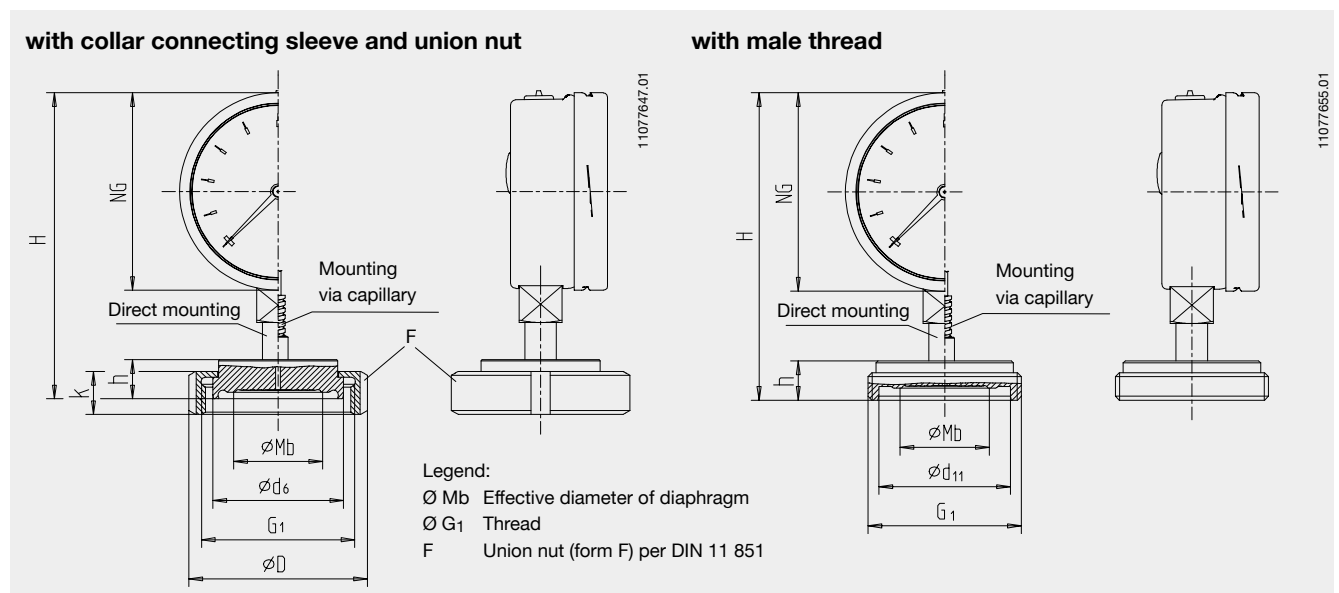
Example for mounting at a pipe socket of a diaphragm seal model 990.51 union nut for threaded pipe connection DIN 11 864-1 form A (O-ring) directly connected on pressure gauge



Pressure instrument Nominal size	Dimensions in mm Installation height H
NS 63	approx. 105
NS 100	approx. 156

Dimensions in mm

Model 990.51 for aseptic threaded pipe connection DIN 11 864-1 form A (O-ring)



Dimensions for corresponding pipes per DIN 11 866 - column A (pipe dimensions per DIN 11 850)

DN	For pipe Outside Ø x 1) thickness	PN	Dimensions in mm							Weight in kg			
			Mb	d ₆	d ₁₁	G ₁	h	F	D	k	Aseptic O-ring	Connecting sleeve	Male thread
25	29 x 1.5	40	22	42.9	43	RD 52 x 1/6	20	DN 25	63	21	28 x 3.5	1.0	0.9
32	35 x 1.5	40	25	48.9	49	RD 58 x 1/6	20	DN 32	70	21	34 x 5	1.2	1.2
40	41 x 1.5	40	35	54.9	55	RD 65 x 1/6	20	DN 40	78	21	40 x 5	1.5	1.5
50	53 x 1.5	25	45	66.9	67	RD 78 x 1/6	20	DN 50	92	22	52 x 5	2.2	2.3
65	70 x 2.0	25	60	84.9	85	RD 95 x 1/6	20	DN 65	112	25	68 x 5	3.6	3.6
80	85 x 2.0	25	72	98.9	99	RD 110 x 1/4	20	DN 80	127	29	83 x 5	5.0	4.9
100	104 x 2.0	25	90	118.9	119	RD 130 x 1/4	20	DN 100	148	31	102 x 5	7.1	7.1

Dimensions for corresponding pipes per DIN 11 866 - column B (pipe dimensions per DIN EN ISO 1127)

DN	For pipe Outside Ø x 1) thickness	PN	Dimensions in mm							Weight in kg			
			Mb	d ₆	d ₁₁	G ₁	h	F	D	k	Aseptic O-ring	Connecting sleeve	Male thread
26.9	26.9 x 1.6	40	22	42.9	43	RD 52 x 1/6	20	DN 25	63	21	26 x 3.5	1.0	0.9
33.7	33.7 x 2.0	40	25	48.9	49	RD 58 x 1/6	20	DN 32	70	21	32 x 5	1.2	1.2
42.4	42.4 x 2.0	25	35	54.9	55	RD 65 x 1/6	20	DN 40	78	21	40.5 x 5	1.5	1.5
48.3	48.3 x 2.0	25	45	66.9	67	RD 78 x 1/6	20	DN 50	92	22	46.5 x 5	2.2	2.3
60.3	60.3 x 2.0	25	60	84.9	85	RD 95 x 1/6	20	DN 65	112	25	58.5 x 5	3.6	3.6
76.1	76.1 x 2.0	25	72	98.9	99	RD 110 x 1/4	20	DN 80	127	29	73.5 x 5	5.0	4.9
88.9	88.9 x 2.3	25	90	118.9	119	RD 130 x 1/4	20	DN 100	148	31	86.5 x 5	7.1	7.1

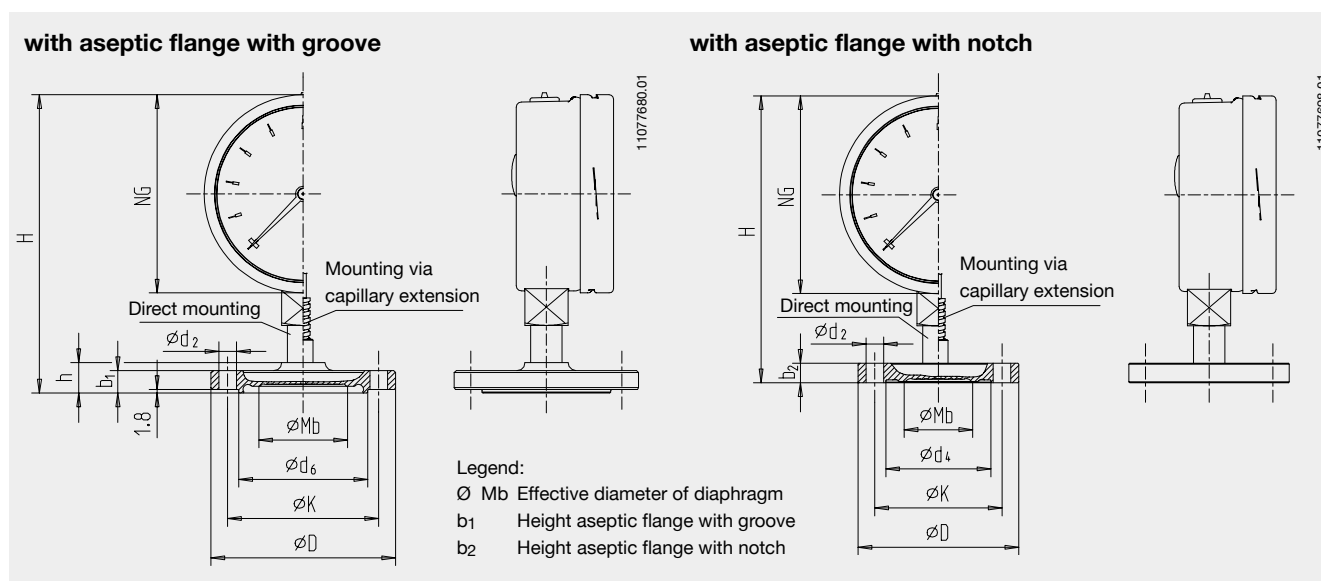
Dimensions for corresponding pipes per DIN 11 866 - column C (pipe dimensions per ASME BPE 1997)

DN	For pipe Outside Ø x 1) thickness	PN	Dimensions in mm							Weight in kg			
			Mb	d ₆	d ₁₁	G ₁	h	F	D	k	Aseptic O-ring	Connecting sleeve	Male thread
1"	25.4 x 1.65	40	22	42.9	43	RD 52 x 1/6	20	DN 25	63	21	24 x 3.5	1.0	0.9
1 1/2"	38.1 x 1.65	40	32	54.9	55	RD 58 x 1/6	20	DN 40	78	21	37 x 5	1.5	1.5
2"	50.8 x 1.65	25	45	66.9	67	RD 65 x 1/6	20	DN 50	92	22	50 x 5	2.2	2.3
2 1/2"	63.5 x 1.65	25	52	84.9	85	RD 78 x 1/6	20	DN 65	112	25	62 x 5	3.6	3.6
3"	76.2 x 1.65	25	60	98.9	99	RD 95 x 1/6	20	DN 80	127	29	75 x 5	5.0	4.9
4"	101.6 x 2.11	25	90	118.9	119	RD 130 x 1/4	20	DN 100	148	31	100 x 5	7.1	7.1

1) Permissible pressure in bar; pressure may only be applied together with use of the appropriate O-ring material up to temperatures of -10 ... +140°C

Dimensions in mm

Model 990.51 for aseptic flanged connection per DIN 11 864-2 form A (O-ring)



Dimensions for corresponding pipes per DIN 11 866 - column A (pipe dimensions per DIN 11 850)

DN	For pipe Outside \varnothing x 1) thickness	PN	Dimensions in mm								Weight in kg			
			Mb	d ₆	d ₄	K	D	h	b ₁	b ₂	d ₂	Aseptic O-ring	Flange with groove	Flange with notch
25	29 x 1.5	25	22	38.3	38.4	53	70	15.5	11.5	10	4 x $\varnothing 9$	28 x 3.5	1.4	1.2
32	35 x 1.5	25	25	47.6	47.7	59	76	15.5	11.5	10	4 x $\varnothing 9$	34 x 5	1.7	1.5
40	41 x 1.5	25	35	53.6	53.7	65	82	15.5	11.5	10	4 x $\varnothing 9$	40 x 5	1.9	1.7
50	53 x 1.5	16	45	65.6	65.7	77	94	15.5	11.5	10	4 x $\varnothing 9$	52 x 5	2.6	2.2
65	70 x 2.0	16	60	81.6	81.7	95	113	15.5	11.5	10	8 x $\varnothing 9$	68 x 5	3.7	3.2
80	85 x 2.0	16	72	97.6	97.7	112	133	17.5	13.5	12	8 x $\varnothing 11$	83 x 5	6.0	5.3
100	104 x 2.0	16	90	116.6	116.7	137	159	19.5	15.5	14	8 x $\varnothing 11$	102 x 5	9.8	8.9

Dimensions for corresponding pipes per DIN 11 866 - column B (pipe dimensions per DIN EN ISO 1127)

DN	For pipe Outside \varnothing x 1) thickness	PN	Dimensions in mm								Weight in kg			
			Mb	d ₆	d ₄	K	D	h	b ₁	b ₂	d ₂	Aseptic O-ring	Flange with groove	Flange with notch
26.9	26 x 1.6	25	22	36.0	36.1	52	69	15.5	11.5	10	4 x $\varnothing 9$	26 x 3.5	1.4	1.2
33.7	33.7 x 2.0	25	25	45.3	45.4	57	74	15.5	11.5	10	4 x $\varnothing 9$	32 x 5	1.6	1.4
42.4	42.4 x 2.0	16	35	54.0	54.1	65	82	15.5	11.5	10	4 x $\varnothing 9$	40.5 x 5	1.9	1.7
48.3	48.3 x 2.0	16	40	59.9	60.0	71	88	15.5	11.5	10	4 x $\varnothing 9$	46.5 x 5	2.2	1.9
60.3	60.3 x 2.0	16	52	71.9	72.0	85	103	15.5	11.5	10	8 x $\varnothing 9$	58.5 x 5	3.1	2.7
76.1	76.1 x 2.0	16	60	88.1	88.1	104	125	17.5	13.5	12	8 x $\varnothing 11$	73.5 x 5	5.3	4.7
88.9	88.9 x 2.3	16	72	100.9	101.0	116	137	17.5	13.5	12	8 x $\varnothing 11$	86.5 x 5	6.4	5.7

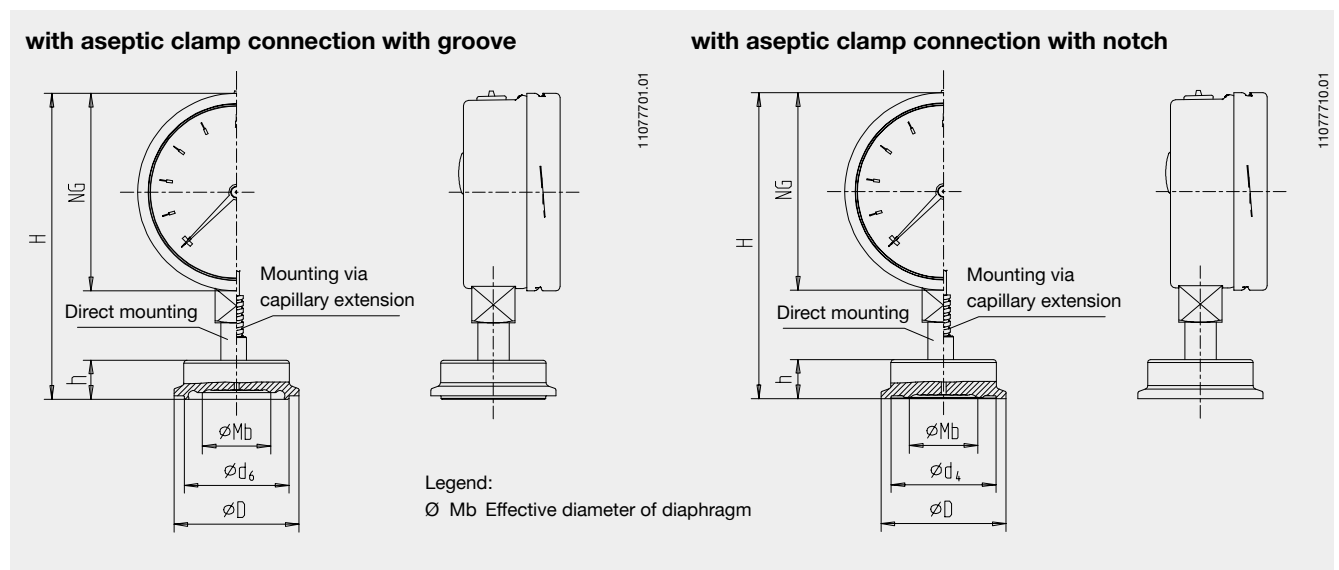
Dimensions for corresponding pipes per DIN 11 866 - column C (pipe dimensions per ASME BPE 1997)

DN	For pipe Outside \varnothing x 1) thickness	PN	Dimensions in mm								Weight in kg			
			Mb	d ₆	d ₄	K	D	h	b ₁	b ₂	d ₂	Aseptic O-ring	Flange with groove	Flange with notch
1"	25.4 x 1.65	25	22	34.3	34.4	49	66	15.5	11.5	10	4 x $\varnothing 9$	24 x 3.5	1.3	1.1
1 1/2"	38.1 x 1.65	25	32	50.4	50.4	62	79	15.5	11.5	10	4 x $\varnothing 9$	37 x 5	1.8	1.6
2"	50.8 x 1.65	16	45	63.4	63.5	75	92	15.5	11.5	10	4 x $\varnothing 9$	50 x 5	2.4	2.1
2 1/2"	63.5 x 1.65	16	52	75.8	75.9	89	107	15.5	11.5	10	4 x $\varnothing 9$	62 x 5	3.3	2.9
3"	76.2 x 1.65	16	60	89.5	89.6	104	125	17.5	13.5	12	8 x $\varnothing 11$	75 x 5	5.3	4.7
4"	101.6 x 2.11	16	90	114.2	114.3	135	157	19.5	15.5	14	8 x $\varnothing 11$	100 x 5	9.6	8.7

1) Permissible pressure in bar; pressure may only be applied together with use of the appropriate O-ring material up to temperatures of -10 ... +140°C

Dimensions in mm

Model 990.51 Aseptic clamp connection DIN 11 864-3 form A (O-ring)



Dimensions for corresponding pipes per DIN 11 866 - column A (pipe dimensions per DIN 11 850)

DN	For pipe Outside Ø x thickness	PN 1)	Dimensions in mm					h	Aseptic O-ring	Weight in kg
			Mb	d ₆	d ₄	D				
25	29 x 1.5	40	22	38.3	38.4	50.5	20	28 x 3.5	0.7	
32	35 x 1.5	40	25	47.6	47.7	50.5	20	34 x 5	1.1	
40	41 x 1.5	40	35	53.6	53.7	64	20	40 x 5	1.4	
50	53 x 1.5	25	45	65.6	65.7	77.5	20	52 x 5	2.2	
65	70 x 2.0	25	60	81.6	81.7	91	20	68 x 5	3.3	
80	85 x 2.0	16	72	97.6	97.7	106	20	83 x 5	4.8	
100	104 x 2.0	16	90	116.6	116.7	130	21.5	102 x 5	7.3	

Dimensions for corresponding pipes per DIN 11 866 - column B (pipe dimensions per DIN EN ISO 1127)

DN	For pipe Outside Ø x thickness	PN 1)	Dimensions in mm					h	Aseptic O-ring	Weight in kg
			Mb	d ₆	d ₄	D				
26.9	26.9 x 1.6	40	22	36.0	36.1	50.5	20	26 x 3,5	0.7	
33.7	33.7 x 2.0	40	25	45.3	45.3	50.5	20	32 x 5	1.0	
42.4	42.4 x 2.0	25	35	54.0	54.1	64	20	40.5 x 5	1.5	
48.3	48.3 x 2.0	25	40	59.9	60.0	64	20	46.5 x 5	1.8	
60.3	60.3 x 2.0	25	52	71.9	72.0	91	20	58.5 x 5	2.6	
76.1	76.1 x 2.0	16	60	88.1	88.2	106	20	73.5 x 5	3.9	
88.9	88.9 x 2.3	16	72	100.9	101.0	119	22.5	86.5 x 5	5.8	

Dimensions for corresponding pipes per DIN 11 866 - column C (pipe dimensions per ASME BPE 1997)

DN	For pipe Outside Ø x thickness	PN 1)	Dimensions in mm					h	Aseptic O-ring	Weight in kg
			Mb	d ₆	d ₄	D				
1"	25.4 x 1.65	40	22	34.3	34.4	50.5	20	24 x 3.5	0.6	
1 1/2"	38.1 x 1.65	40	32	50.4	50.5	64	20	37 x 5	1.3	
2"	50.8 x 1.65	25	45	63.4	63.5	77.5	20	50 x 5	2.0	
2 1/2"	63.5 x 1.65	25	52	75.8	75.9	91	20	62 x 5	2.9	
3"	76.2 x 1.65	16	60	89.5	89.6	106	20	75 x 5	4.0	
4"	101.6 x 2.11	16	90	114.2	114.3	130	21	100 x 5	6.9	

1) Permissible pressure in bar; pressure may only be applied together with use of the appropriate O-ring material up to temperatures of -10 ... +140°C

Pressure measurement

Bourdon tube pressure gauges

Possibilities for combination with pressure gauge

- Stainless steel version
Model 232.50/233.50,
without/with liquid filling
(see data sheet PM 02.02)



- Stainless steel, safety pattern version
Model 232.30/233.30,
without/with liquid filling
(see data sheet PM 02.04)



if the following application conditions are taken into account:

- Pressure gauge directly combined with diaphragm seal
- Temperature range
process: +10 ... +150 °C
ambient: +10 ... +40 °C

Choice	Model	Process connection with DN			
		25 ... 33,7 (1")	40 (1 1/2") ... 50 (2")	60,3 ... 76,1 (2 1/2")	80 (3") ...
Pressure gauge		23x.50.63 23x.50.100	23x.50.63 23x.50.100	23x.50.63 23x.50/30.100	23x.50.63 23x.50/30.100
Lowest measuring range		0 ... 4 bar -1 ... 3 bar	0 ... 2 bar -1 ... 3 bar	0 ... 1 bar -1 ... 1.5 bar	0 ... 0.6 bar -1 ... 1.5 bar
Overpressure safety (optional)		-	2 x full scale value	2 x full scale value	2 x full scale value
Inductive alarm sensors (optional), suitable in zone 1 and zone 2 (Model 831)		-	possible	possible	possible

Pressure transmitters

For the combination with

- Pressure transmitter for general applications Model S-10, (see data sheet PE 81.01)



- Universal transmitter UniTrans, Model UT-10 / IUT-10, (see data sheet PE 86.01 / PE 86.02)



- or with Process pressure transmitter, Model IPT-10, (see data sheet PE 86.11)



The following lowest pressure ranges apply taking the above mentioned application conditions into account:

Choice	Process connection with DN			
	25 ... 33,7 (1")	40 (1 1/2") ... 50 (2")	60,3 ... 76,1 (2 1/2")	80 (3") ...
Lowest measuring range	0 ... 2.5 bar	0 ... 1 bar	0 ... 600 mbar	0 ... 400 mbar

Further gauge variants and lower pressure ranges can be supplied after technical verification and clarification by WIKA.

Ordering information

Model / Connection design / Gasket form / corresponding pipe standard / Process connection / Material of wetted parts / Assembly, if necessary length of capillary / System fill fluid / Pressure gauge model / Process conditions as per questionnaire / Optional extras resp. special version required

Modifications may take place and materials specified may be replaced by others without prior notice. Specifications and dimensions given in this leaflet represent the state of engineering at the time of printing.

