

# Indoor and outdoor resistance thermometer For shipbuilding industry Model TR890

WIKA data sheet TE 69.35



## Applications

- Warehouses
- Cold stores
- Freezer compartments
- Damp rooms

## Special features

- Short response times
- Ingress protection IP 67
- GL and LR approval



Indoor and outdoor resistance thermometer model TR890

## Description

These resistance thermometers have been designed to measure ambient temperatures. The sealed sensor tube enables applications indoors as well as outdoors. The standard temperature range is -40 ... +80 °C.

## Sensor

### Sensor tolerance value per DIN EN 60751

- Class B
- Class A (not with 2-wire connection)

For detailed specifications for Pt100 sensors, see Technical Information IN 00.17 at [www.wika.com](http://www.wika.com).

## Probe

### Design

Rigid tube

### Material

Stainless steel 1.4571

### Diameter

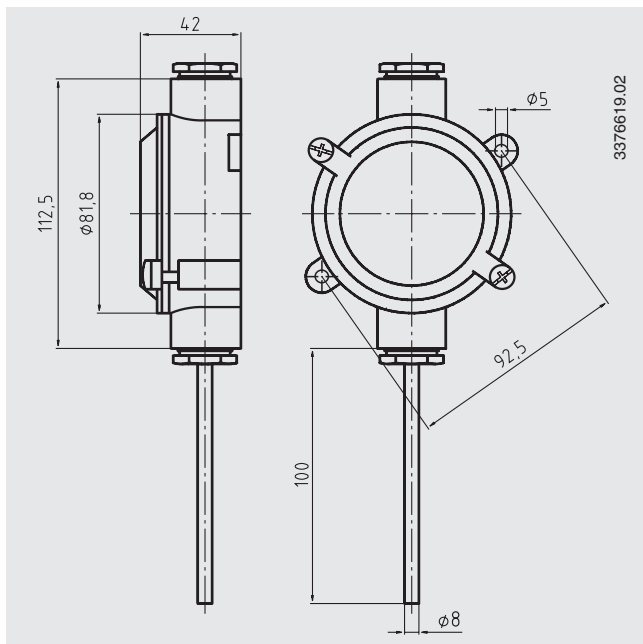
8 mm

### Length

100 mm

Other versions on request

## Dimensions in mm



## Connection box

### Material

Aluminium, epoxy coated

### Cover

Detachable, 2 mounting screws, EPDM flat seal

### Cable glands

Pg 16

### Ingress protection

IP 67

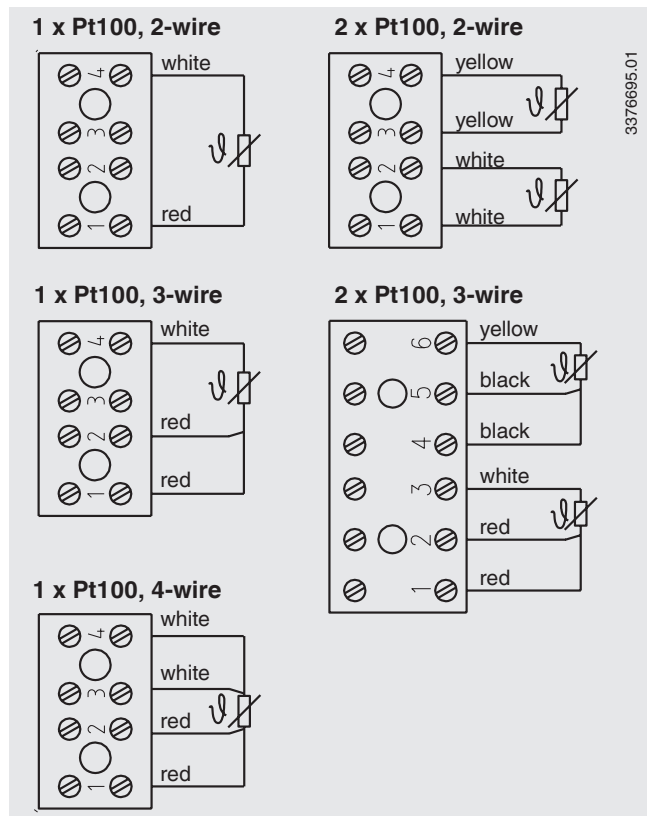
### Terminal block

Ceramic, max. 1.5 mm<sup>2</sup>, screws captive

### Ground terminal

Present

## Electrical connection



## Ordering information

Model / Sensor type and number of sensors / Sensor connection method / Probe diameter / Probe length

© 2003 WIKA Alexander Wiegand SE & Co. KG, all rights reserved.  
The specifications given in this document represent the state of engineering at the time of publishing.  
We reserve the right to make modifications to the specifications and materials.

