

Analogue amplifier cable model

Analogue amplifier in aluminium diecast housing



Description

Amplifiers are electronic devices designed in order to adapt strain gauge sensors to indicators or to control systems.

Model LCV is part of the connecting cable of the force transmitter. Practical shape of housing allows easy fastening with simple straps. Housing is designed for harsh environment according to protection type IP 67. The amplifier can be build in the large transmitters directly.

Alternatively to the version described above diecasting housing for the strain gauge amplifier can be delivered.

For mounting in control boxes with standard terminal strips according to DIN EN 50 022 a special amplifier is available. All strain gauge force transducers powered by a DC voltage can be connected. Span and deadload are adjustable at the yard. For checking the evaluation device a control signal can be generated. Trouble signals can be eliminated partly using an input low-pass.

Distribution voltage of 12 up to 30 Volt guarantees a direct connection to a PLC because PLC use 24 Volt distribution voltage normally. Analogue outputs 0..10 Volt or 0(4)..20 mA guarantee direct signal processing.

Features

- 10 VDC or 20 mA standard signal
- Direct connection with PLC
- Compact shape
- Easy handling
- Protection type IP 67
- Robust aluminium diecasting housing, usable in heavy industry
- Mounting on standard terminal strips according to DIN EN 50 022
- Free configurability
- Input filter for mush killing

Applications

- Industrial weighing technology
- Force monitoring and measurement on machines


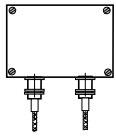
Specific information

- 100% inspection (BR EZ15) (for force transducers with 100% resistance)

Model: EZE09X001
EZE15X004

Technical data

Dimensions

Model	Cable integrated		Aluminium diecasting housing	
Symbol				
Order No.	EZE09X001¹⁾		EZE15X004001	EZE15X004002
Output	- Signal 0...10 VDC 3 wire technology - Accuracy 0.03% - Burden Output voltage > 2 kΩ		4...20 mA 3 wire technology Output current < 500Ω	
Input	- Signal 2.5 ... 15 mV* (* 2.5 mV=minimal, still fully amplifiable input signal) - Input resistance 10 ⁹ Ω - Sensor supply 5 V DC, max. 50 mA - Limit frequency 1 kHz (3 dB)		2.5 ... 15 mV* (* 2.5 mV=minimal, still fully amplifiable input signal) - Input resistance 10 ⁹ Ω - Sensor supply 5 V DC, max. 50 mA - Limit frequency 1 kHz (3 dB) Input filter adjustable 10 Hz ... 1 kHz	
Setting	- zero point - amplification setting hard-coded in factory		±10% continuously adjustable rough and fine adjustment possible through DIP-switches and potentiometers	
Power requirement	12 ... 28 V DC, waviness ≤ 10%; Output voltage < 40 mA Output current < 60 mA		16 ... 32 V DC, waviness ≤ 10%; Output voltage < 40 mA Output current < 60 mA	
Nominal temperature range	+10 ... + 40 °C		+10 ... + 40 °C	
Service temperature range	0 ... + 60 °C		0 ... + 60 °C	
Storage temperature range	-10 ... + 70 °C		-10 ... + 70 °C	
Temperature effect	- zero point 0.15% / 10 K - measuring span 0.05% / 10 K		0.2% / 10 K 0.1% / 10 K	
Noise emission	acc. to EN 61326		acc. to EN 61326	
Noise immunity	acc. to EN 61326		acc. to EN 61326	
Protection type (acc. to EN 60529/IEC 529)	IP 67		IP 67	
Test	---		100 % (for transducers with 100% resistance)	
Electrical connection	2 x PG7 – cable gland		2 x PG7 – threaded joint	
cable sensor – amplifier	1 m (max 2.5 m)		1 m (max 2.5 m)	
cable amplifier – display	2 m (max 10 m)		2 m (max 10 m)	
Housing	Aluminium		Aluminium	
- Material	Aluminium		Aluminium	
- Dimensions	∅ 25 mm x 115 mm		98 x 64 x 36 mm (B x H x T)	

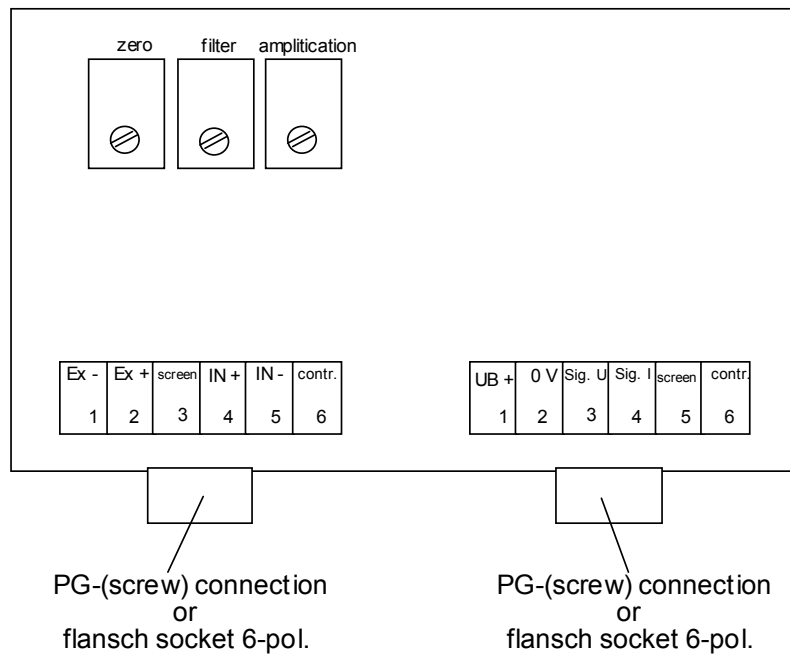
Options

Model	Cable integrated		Aluminium diecasting housing	
No.	EZE09X001¹⁾		EZE15X004	EZE15X004
Output	±10 VDC 0...5 VDC ±5 VDC 3 wire technics		0...20 mA 3 wire technics	
Auxiliary supply	---		8...16 VDC at ± 5 V ≤ 5 mA	
Electr. Connection	Circ. connector M12x1, 4-pin		connector 6-pin DIN 45322	
Check external	---		16...28 VDC	

¹⁾ can only be ordered and supplied together with a force transducer

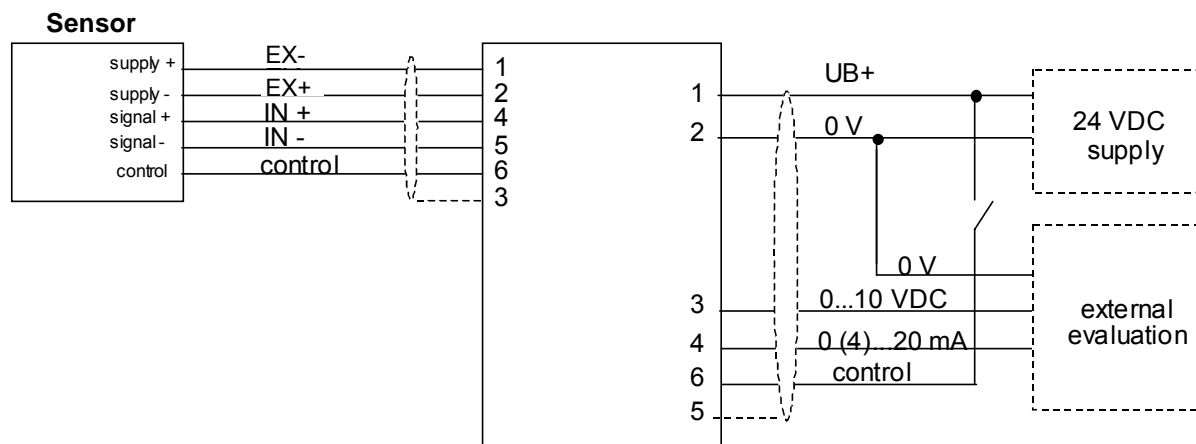
Operating and display element

Aluminium diecasting housing



Pin configuration

Aluminium diecasting housing

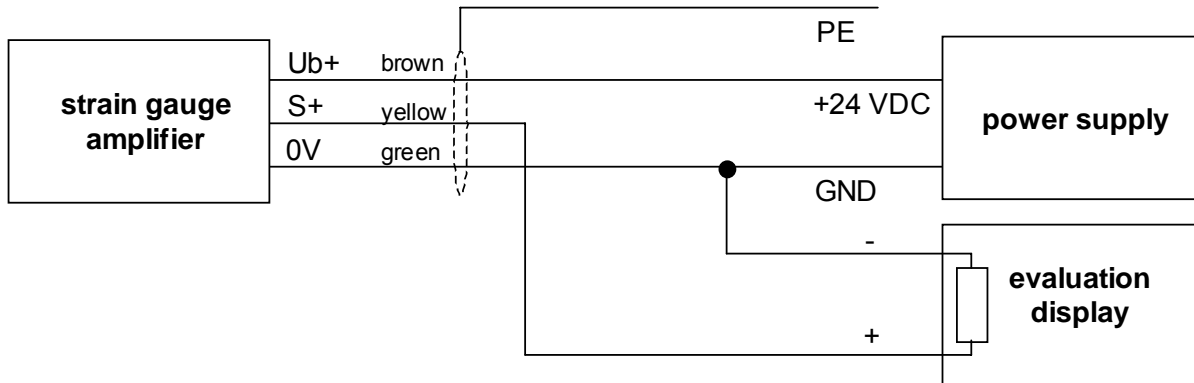


Pin configuration

Cable integrated

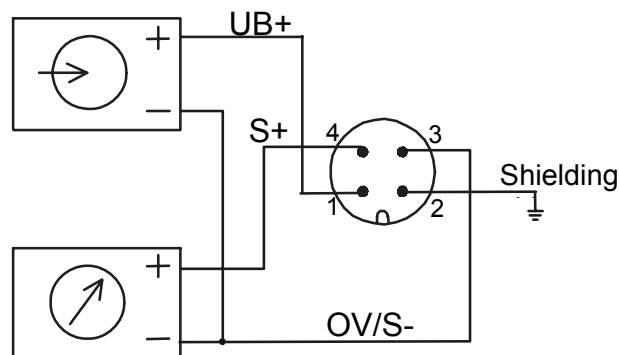


amplifier output , open wires



also for load cells with integrated amplifiers (0 (4) ... 20 mA, 0..10 V, 3-wire system

circular connector M12x1, 4-pin (optional)



Order information

1. model
2. measuring range
3. output signal
4. options

Modifications reserved