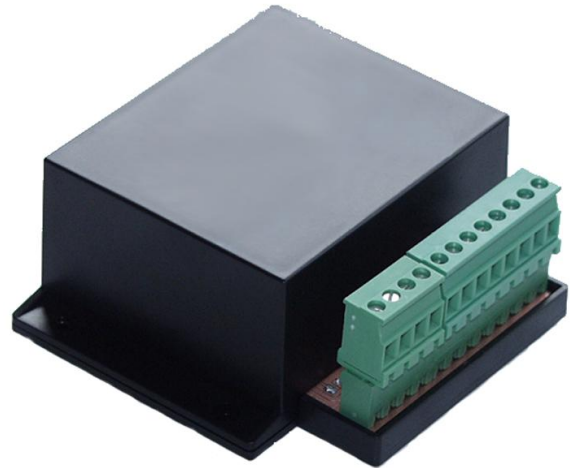


Analogue limit monitor for top hat rail mounting



Description

Designed to avoid overload in hoists, elevators, cranes and building machines.

The overload protection device possesses:

- 1 sensor input, 4 - 20 mA
- 3 comparators with one adjusting potentiometer each
- each comparator triggers 1 relay and 1 control LED
- each relays can be used as „ on“ or „off“ switch
- a 4th comparator which switches all relays into overload mode in case of a cable disruption

Force transducers for this overload protection: all types with 4...20mA are connectable.

Features

- Limit monitor for standard signal 4...20 mA
- 3 relay outputs
- Simple handling and setting
- Setting regular for switching thresholds
- Robust housing for top hat rail mounting
- Can also be used in tough conditions

Applications

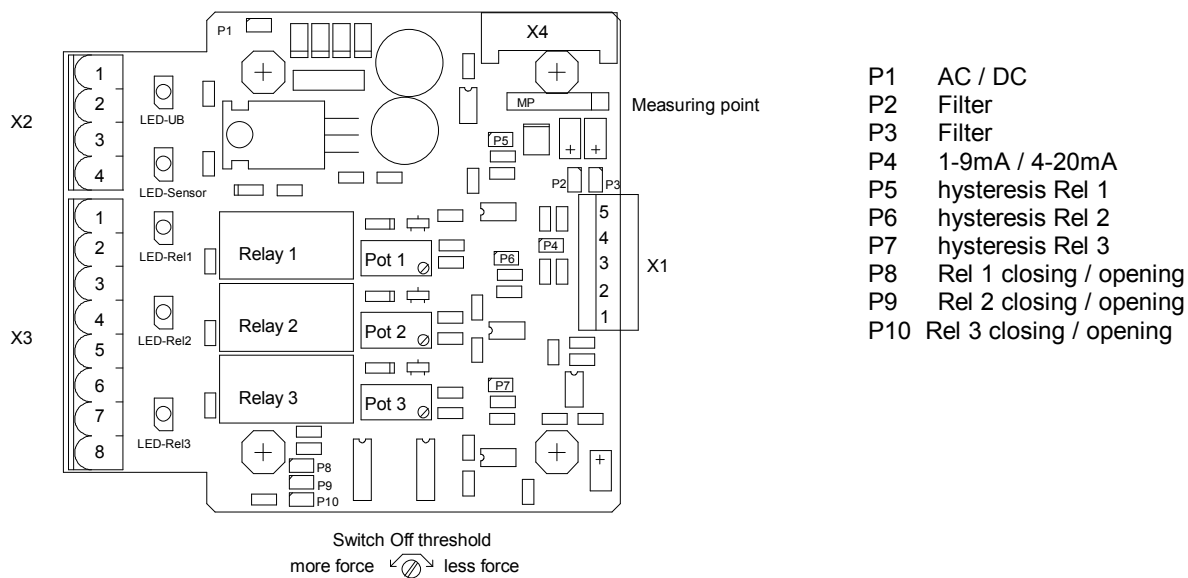
- overload in hoists
- cranes
- elevators
- building machines

Model: EGS08

Technical data

Model	EGS08
Output - Relay outputs - Accuracy	3 0.3%
Input - Signal - Sensor supply - Filter setting	1 ... 9 mA or 4 ... 20 mA 21 VDC, max. 50 mA weak: approx. 1 ms cut-in delay medium: approx. 10 ms cut-in delay strong: approx. 20 ms cut-in delay
Setting - Relay outputs	Continuously adjustable via potentiometer
Power requirement	24VDC (-10%/+40%) max. 100 mA AC or DC adjustable with solder bridges
Nominal temperature range	+10 ... +40°C
Service temperature range	0 ... +60°C
Storage temperature range	-10 ... +70°C
Burden resistor	360 W or 180 W
Cable disruption detection	release relay function as of 0.7 mA signal current at 1-9 mA burden as of 1.4 mA signal current at 4-20 mA burden
Protection type (acc. to EN 60 529/IEC 529)	IP 40
Electrical connection	Screw terminals
Housing - Material - Dimensions (W x H x D)	For top hat rails acc. to DIN EN 50 022 Plastic approx. 67 x 80 x 41 mm (Diagonal 45* 89 mm)
Fastening housing	drill hole diameter 3,2 mm

Terminal Assignment



Connecting clamp X1

Pin	description	Cable colour	Pin
1	UB	Excitation Load Cell 21VDC (internal generate)	1
2	GND	Ground	2
3	Im	Output Load Cell 1-9mA oder 4-20mA	3
4	not used		4
5	protect	protection of the connection cable against emc	5

4-20mA 2-wire, only connecting clamp 1 and 3 with UB+/S+ and 0V/S- are added

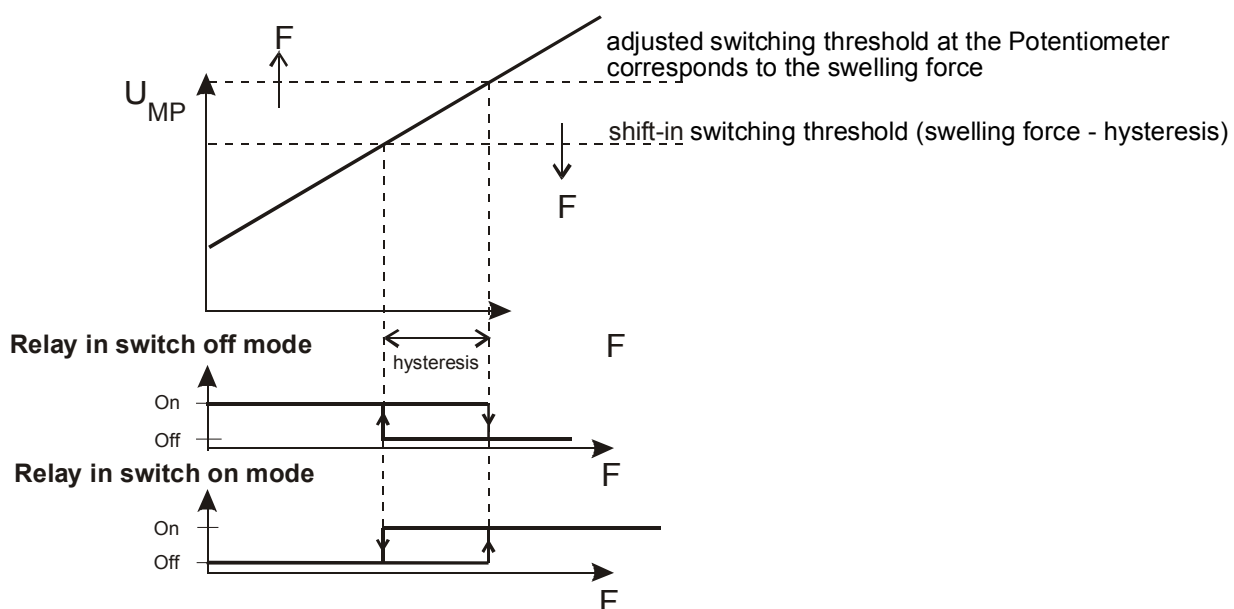
Connecting clamp X2

Pin	description	potentiometer
1	24 VAC Power supply or +24 VDC	
2	24 VAC Power supply or 24 VDC (GND)	
3	not used	
4	Ground	

Connecting clamp X3

Pin	description	potentiometer
1	Relay 1, make contact	
2	Relay 1, middle contact	POT 1
3	Relay 2, make contact	
4	Relay 2, home contact	
5	Relay 2, middle contact	POT 2
6	Relay 3, make contact	
7	Relay 3, home contact	
8	Relay 3, middle contact	POT 3

Force / Voltage diagram for overload detection



Subject to technical alternations