

## Heavy Duty pressure gauges with Bourdon tube

**Nominal size ND 80**

**Connection position bottom, radial or back, central**



### Description

Pressure gauges of the comprehensive Heavy Duty range are manufactured on the basis of the modular construction system which brings advantages of quality and price. The gauges can be used in all applications where particular importance is attached to measuring accuracy, reproducibility and long-term stability. They can be used with liquid or gaseous media which are not highly viscous and which do not attack copper alloys or crystallize. A wide range of options enables the user to adapt the gauges to his own special requirements.

All Heavy Duty pressure gauges comply with general international recommendations for measuring systems and take requirements for specific applications and technical standards into consideration. (to EN837-1)

Panel mounting is facilitated by the central connecting pin at the back and a corresponding mounting bracket.

### Special features

- o High reliability and long service life due.
- o Casing, Stainless steel 1.4301 (AISI 304)
- o Accuracy class 1.0
- o Copper alloy measuring system
- o Overload capacity 1.3 x
- o Protection to IP 54

### Measuring ranges

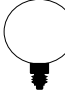

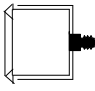
0 ... 0.6 bar to 0 ... 1000 bar

### Applications

Mechanical engineering and apparatus construction  
Automotive engineering,  
power supply,  
testing and monitoring systems.

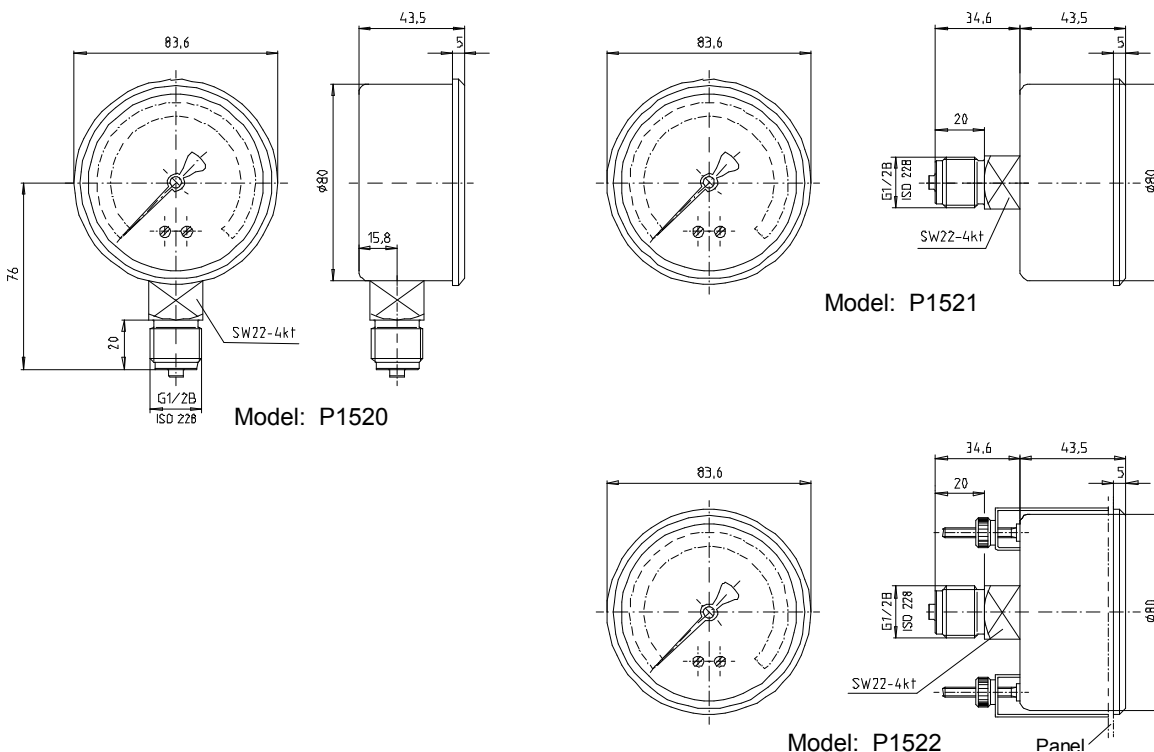
**Models: P1520, P1521, P1522**

## Technical data

Models	P1520	P1521	P1522 <sup>1)</sup>	Options
Nominal size	<b>80</b>			
Symbol EN 837				
Accuracy class	1.0 to EN 837-1			
Ranges	0...0.6 bar to 0...1000 bar negative or positive and negative/positive gauge pressure			
Application	Constant load: up to full scale value Alternating load: 0.9 x of full scale value short-time: overloadable 1.3- x			1.5 to 2-x
Case	Stainless steel 1.4301			Stainless steel, polished or painted black
Bezel	Triangular bezel, stainless steel 1.4301 polished			
Mounting				Mounting bracket
Window	Plastic, Trogamid			Glass lens / safety glass
Dial	Aluminium white, scale and imprint black			Dual scale
Pointer	Aluminium black			Drag pointer
Movement	CuZn - alloy			Plastic bearing and teeth; Manocont
Measuring element	Cu - alloy up to 40 bar, above 40 bar stainless steel			
Pressure connection	CuZn - alloy			other threads on request
- position	radial bottom	back, central		
- thread	G 1/2 B			
Protection	IP 54 to EN 60 529 / IEC 529			IP 65
Temperatures				
- Medium	Tmin. -20°C , Tmax. 80°C			
- Ambient	Tmin. -25°C , Tmax. 60°C			
Temperature drift	0.3 %/10K if deviation from normal temperature 20°C			
Orifice				ø 0.3 ; ø 0.4 ; ø 0.8
Weight approx.	0.390 kg	0.380 kg	0.410 kg	

1) Version available with illumination

## Dimensions



Modifications reserved