

## Heavy Duty pressure gauges with Bourdon tube and glycerine filling

Nominal sizes ND 63

Connection position bottom, radial  
or back, central



### Description

The tried and tested system technology of the **ABS**-glycerine pressure gauge is encased in high grade plastic.

**ABS** (Acrylnitril-Butadien-Styrol) is a corrosion resistant and shock proof case material and presents an alternative to pressure gauges with metal or pressed brass cases.

The glycerine filling provides smooth pointer motion, thus ensuring an accurate reading even under extreme load and strong vibration conditions. Furthermore, the lubricating action of the glycerine offers an effective counter against extreme wear.

Such properties enable the **ABS** glycerine pressure gauges to be deployed practically anywhere.

The facility for panel mounting is provided by a back central pressure connection and a mounting bracket.

### Special features

- o Case, plastic (ABS)
- o Accuracy class 1.6
- o Copper alloy measuring system
- o Vibration-free display
- o Protection IP 65

### Measuring ranges

0 ... 0.6 bar to 0 ... 1000 bar

### Applications

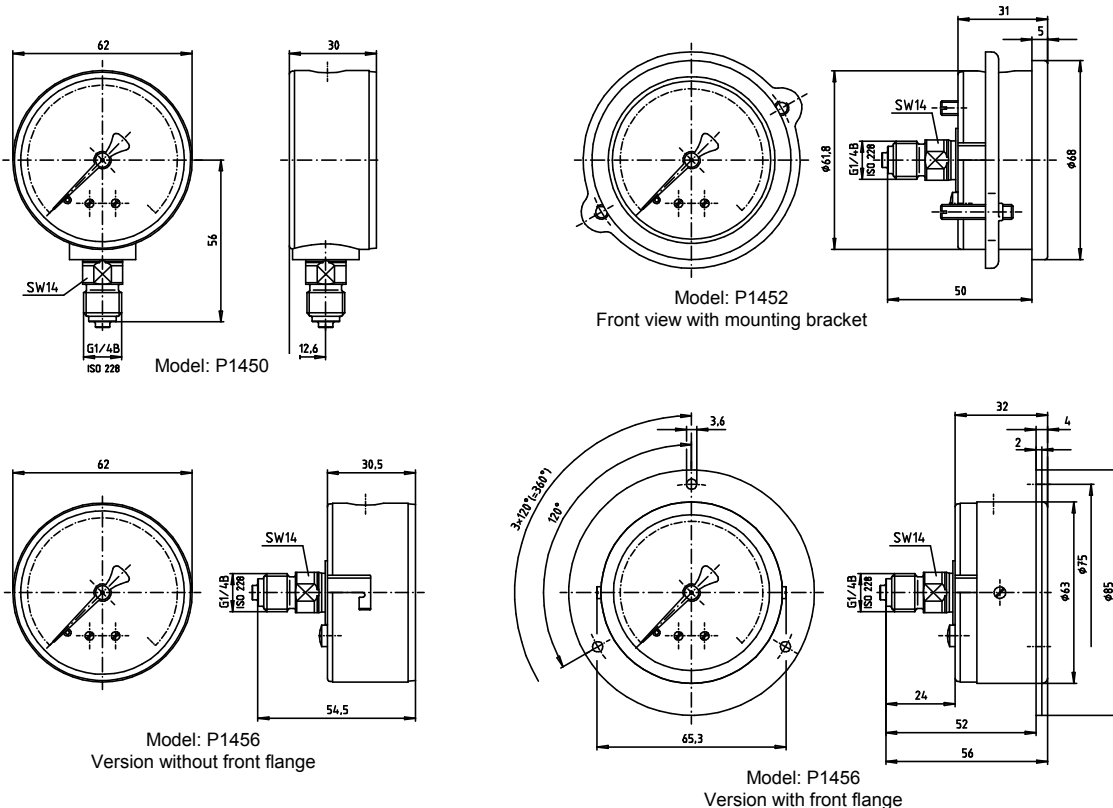
General mechanical engineering,  
hydraulics, compressors, pumps,  
plant construction.

Models: **P1450, P1452, P1456**

## Technical data

Models	P1450	P1452	P1456	Options
Nominal size	63			
Symbol				
Accuracy class	1.6 to EN 837-1			
Ranges	0...1.0 bar to 0...1000 bar negative or positive or negative and positive gauge pressure			
Application	Constant load: 3/4 x full scale value Alternating load: 2/3 x full scale value short-time: full scale value			
Case	Plastic, black with pressure relief opening			
Bezel	none	Stainless steel, black		
Mounting	none	Front flange or front ring with mounting bracket		
Window	Plexiglass			
Dial	Plastic, white, scale and imprint black			Dual scale
Pointer	Plastic, black			
Movement	CuZn-alloy			
Measuring element	Copper alloy up to 250 bar, above 400 bar stainless steel			
Pressure connection	CuZn-alloy			
- position	radial	central		Other threads on request
- thread	bottom	back		
Liquid filling	Glycerine			
Temperatures				
- Medium	Tmin. -20°C, Tmax. 60°C			
- Ambient	Tmin. -25°C, Tmax. 60°C			
Temperature drift	0.3 %/10K if deviation from normal temperature 20°C			
Protection	IP 65 to EN 60 529/IEC 529			
Orifice				ø 0.3 ; ø 0.4 ; ø 0.8
Weight approx..	0.18 kg	0.18 kg	0.17 kg	

## Dimensions



Modifications reserved