

## All stainless steel pressure gauges according to EN 837-1

Nominal sizes ND 100 / 160

Connection position  
bottom, radial



### Description

All stainless steel pressure gauges are ideal for hard conditions and the resulting high demands on pressure measurement in test benches and machine and apparatus construction. Resistance to aggressive media and environments is achieved by using high-grade materials such as stainless steel and NiSpan for the measuring system.

Glycerine filling provides wear-protection for the measuring system through damping, should pulsating pressures and mechanical vibrations occur. The measuring system is of accuracy class 1.6, has overrange protection up to 1.1 times the max. rating and can be loaded up to the full scale value.

The safety execution of the pressure gauges comprises a laminated safety glass, blow-out plug on the back wall and a reduction in the diameter of the pressure channel.

The case and other components are made of stainless steel.

### Features

- o Measuring system of high corrosion-resistant material
- o All stainless steel version compatible with most chemicals
- o Accuracy class 1,6
- o Equipped with safety glass, blow out plug and restrictor
- o Vibration-free display and long service life through glycerine filling

### Measuring ranges

0 ... 1400 bar to 0 ... 4000 bar

### Applications

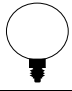
Machine and apparatus construction ,  
special machinery and pumps

### Note:

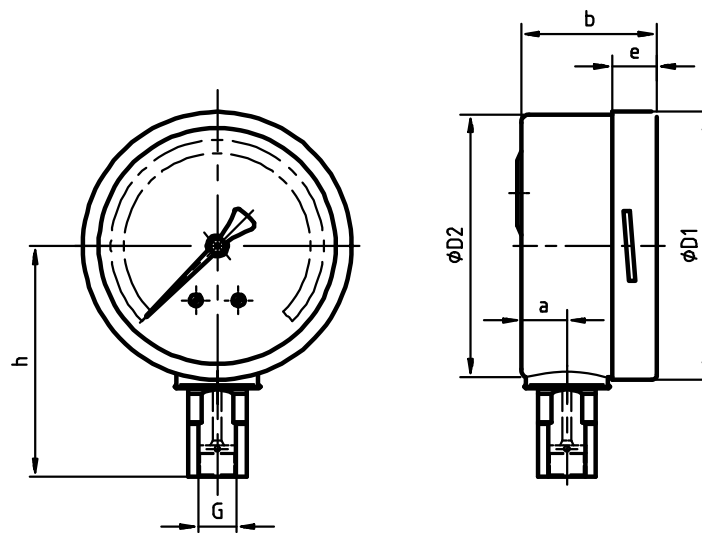
**option:** contact cover plastic, max. 2 contacts  
data sheet DE 1227 exists in addition.

**Models: P1710, P1714**

## Technical data

Model	P1710	P1714	Options
Nominal size	100	160	
Symbol			
Accuracy class according to EN 837-1	1,6	1,6	
Ranges	0 ... 1400 bar to 0 ... 2760 bar		≥ 2500 up to 4000 bar with high pressure connection
Applications	Constant load: up to full scale value Dynamic load: up to 0,9 x full scale value Short-time: overload capacity 1.3 x		
Case	Pressure relief opening (sealed with rubber cover)		
Bezel	Stainless steel 1.4301 Bayonet ring		Front flange
Window	Safety glass		
Dial	Al. White, scale and imprint black		Dual scale
Pointer	Al. Black		
Movement	Stainless steel		
Measuring element	Stainless steel up to 1600 bar NiSpan C from 1600 bar		Stainless steel
Pressure connection	Stainless steel, 316 L		
- Position	Radial bottom		
- Thread	M16x1,5 female 60° cone		Other threads on request
Temperatures			
- Medium	Tmin. -20°C, Tmax. 80°C		
- Ambient	Tmin. -25°C, Tmax. 60°C		
Temperature coefficient	0,4% /10K		
Liquid filling	none (prepared for filling)		Glycerine
Protection Type	IP 65 EN 60 529 / IEC 529		
Orifice	Stainless steel 0,6		others on request
Accessories	Option: Contact cover plastic, max. 2 contacts	without	
weight approx.	0.7	1.1	

## Dimensions



Model: P1710 / P1714

Model	Dimensions (mm)								
	ND	a	b	D1	D2	e	G	h ±1	SW
P1710	100	17,7	54	101	100	17,5	M16x1,5	87	22
P1714	160	15,4	49,5	161	160	17,5	M16x1,5	125	22

Modifications reserved