

Mechanical pressure switch S4150

Versatile and economical changeover switch

preliminary



Description

Mechanical pressure switch with a diaphragm sensing element and one change over contact for converting pressures into an electrical switching signal.

An adjusting screw allows setpoints to be easily adjusted, even in situ. The setpoint may optionally be factory preadjusted.

The switch is suitable for media such as compressed air, non-aggressive liquids or self-lubricating fluids. It is available as standard with a ¼" thread galvanized steel process connection. Many other threads and materials, including brass and stainless steel are optionally available. The switch can be installed in any desired mounting position.

The proven styling with flat connectors is designed especially for use within equipment. A flexible protective cap can be ordered as an accessory. The cable outlet version is the ideal choice for variable installation.

Features

- Change-over contact
- Many thread variants
- Diaphragm versions up to 16 bar

Applications

- Mechanical engineering
- Plant construction
- Filter monitoring
- Pneumatic

Adjustment ranges (bar)	Overload limit (bar)	repeatability (bar) ¹⁾	Max. hysteresis (%)	Measurement principal	Switching function
					Change over contact
0,2..2	80	± 0,04	max. 15%	Membrane	S4150B071001
0,5..8		± 0,16			S4150B144001
1..16		± 0,32			S4150B076001

1) The repeatability refers to 20°C.

2) Higher pressure on request

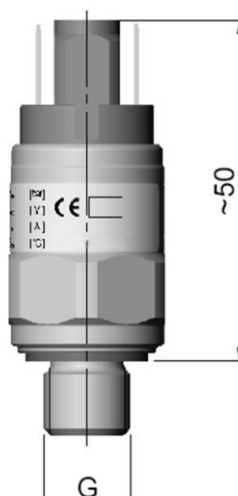
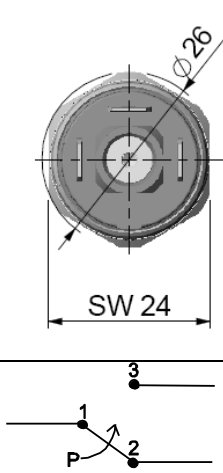
* The article nos. relate to G ¼" galvanized steel connection thread with flat connectors 3 x 6,3 x 0,8

Model: S4150

Technical data

Mechanical pressure switch	
Model	S4150
Execution	positive gauge pressure
Media	compressed air, neutral fluid, self-lubricating fluid
Process connection standard optional	G1/4 G1/8, M10x1, M10x1 conical others on request
Measuring principle	spring loaded diaphragm ≤16 bar
Materials Measuring element standard optional Thread standard optional Housing standard optional	Diaphragm type NBR others on request zinc plated steel stainless steel 1.4305, brass, others on request zinc plated steel, contact insert plastic stainless steel 1.4305; contact insert plastic
Switching outputs Number Switching function Switching element standard Adjustment standard option	1 SPDT microswitch silver plated contacts in site, with adjustment screw factory adjusted
Hysteresis	Max. 15%
Power rating¹⁾ DC up to 28 V AC up to 50 V	2A 4A
Load cycles	max. 100/min
Temperature ranges	-20°C..+80°C
Electrical connection standard optional	Spade terminals 3 x 6,3 x 0,8 Cabel outlet
Protection type	IP65 with cabel outlet
Mounting position	any
Weight	~ 0,1 kg

¹⁾ All specification for ohmic load. For voltages > 42V regulation for protective means have to be regarded!

Dimensions (in mm)	Electrical connection SPDT
	

Technische Änderungen vorbehalten